

MODEL : DDL-8000A

List No : 1728-01

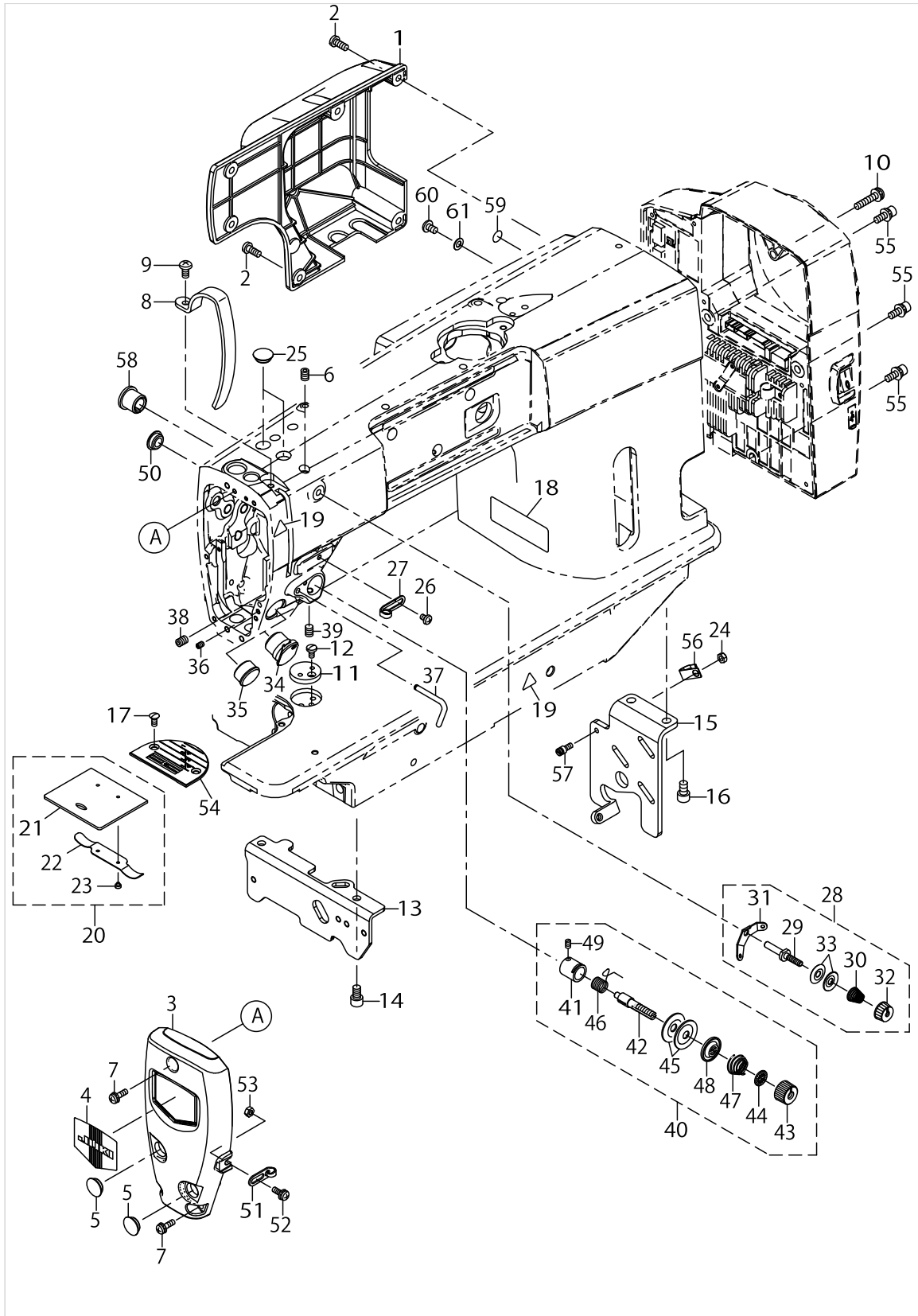
PARTS LIST

Published:12/02/2019

CONTENTS

MACHINE FRAME & MISCELLANEOUS COVER COMPONENTS	1
BOBBIN WINDER COMPONENTS.....	5
MAIN SHAFT & NEEDLE BAR COMPONENTS.....	7
HAND LIFTER & TENSION RELEASE COMPONENTS.....	11
HAND LIFTER COMPONENTS (AK).....	13
FEED ADJUST MECHANISM COMPONENTS	15
HORIZONTAL FEED, VERTICAL FEED & HOOK DRIVING SHAFT COMPONENTS.....	17
THREAD TRIMMER COMPONENTS	21
OIL LUBRICATION COMPONENTS	25
AUTOMATIC REVERSE FEED COMPONENTS.....	27
OPERATION PANEL COMPONENTS	29
PSC UNIT.....	31
UNDER COVER COMPONENTS	33
THREAD STAND COMPONENTS.....	35
ACCESSORIE PART COMPONENTS.....	37
EXCLUSIVE PARTS DDL-8000A-SSH.....	39
LIST FOR INFORMATION OF CHANGE.....	41
HOW TO MAKE USE OF THIS PARTS LIST	42

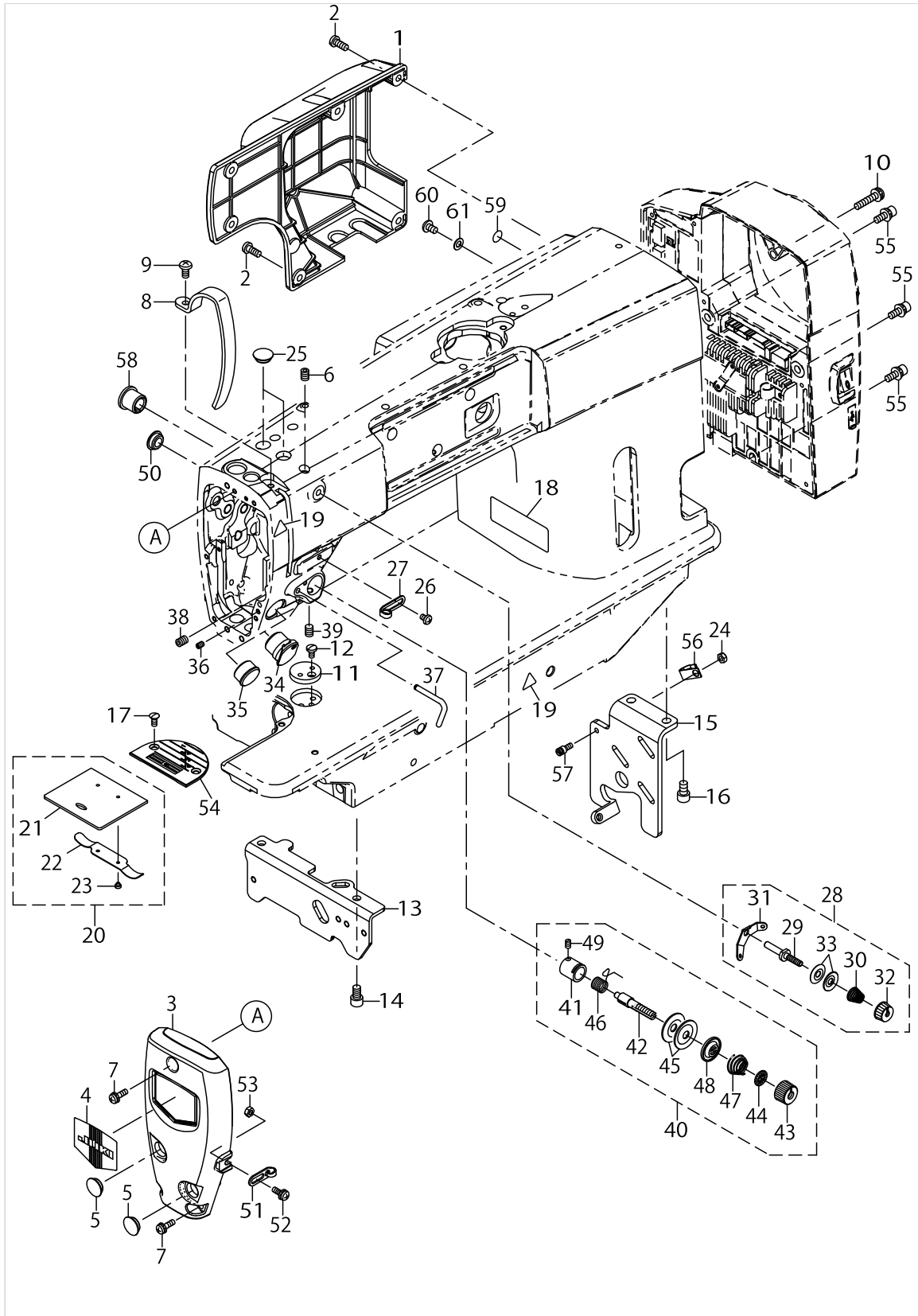
MACHINE FRAME & MISCELLANEOUS COVER COMPONENTS



MACHINE FRAME & MISCELLANEOUS COVER COMPONENTS

No.	Parts No.	Parts name	Remarks	Level	Cons	Qty
1	40211061	AK COVER 8A				1
2	SM4051055SP	SCREW				6
3	40211078	FACE_COVER				1
4	22902506	PLATE				1
5	TA1250406R0	RUBBER PLUG D=12.5 L=4				2
6	SM80608A2TP	SCREW M6 L=8				1
7	SL4041491SC	SCREW 4 X 14				3
8	40172376	THREAD_TAKE_UP_COVER				1
9	SM4051055SP	SCREW				1
10	SL4052591SC	SCREW				1
11	40099083	RULER STOP SEAT				1
12	SS7110720SP	SCREW 11/64-40 L=7				1
13	40214746	BED BRACKET A				1
14	SM6060802TP	SCREW M6 L=8				2
15	40211076	BED BRACKET B				1
16	SM6061002TP	SCREW M6 L=10				2
17	SS2110920TP	SCREW 11/64-40 L=8.5				2
18	40213295	SAFETY LABEL S N				1
19	CM300200001	FINGER INJURY CAUTION LABLE (16)				2
20	22901250	SLIDE PLATE ASM.				1
21	22901201	SLIDE PLATE		*		1
22	22901300	SLIDE PLATE SPRING		*		1
23	SS6060210SP	SCREW 3/32-56 L=1.9		*		2
24	NM6040001SC	NUT M4X0.7 TYPE1				1
25	TA1250406R0	RUBBER PLUG D=12.5 L=4				2
26	SM5040655SN	SCREW				1
27	23626104	ARM THREAD GUIDE A				1
28	22945463	THREAD TENSION ASM. ,NO.1				1
29	22945414	THREAD TENSION POST		*		1
30	22945505	THREAD TENSION SPRING		*		1
31	22945604	THREAD TENSION GUIDE		*		1
32	22945703	THREAD TENSION NUT		*		1
33	22945802	THREAD TENSION DISK		*		2
34	40174373	THREAD NIPPER SOLENOID	FOR NB			1
35	40174392	ARM_CAP	FOR 0B			1
36	SM8040612TP	SCREW M4 L=6				1
37	40052933	ARM THREAD GUIDE C				1
38	SM80608A2TP	SCREW M6 L=8				1
39	SM80608A2TP	SCREW M6 L=8				1
40	22945356	THREAD TENSION ASM.				1
41	22945307	THREAD TENSION POST BASE		*		1
42	22921209	THREAD TENSION POST		*		1
43	22921308	THREAD TENSION NUT		*		1
44	22921407	ROTATION STOPPER		*		1
45	22921506	THREAD TENSION DISK		*		2
46	22921605	THREAD TAKE-UP SPRING		*	☆	1
47	22921704	THREAD TENSION SPRING		*		1

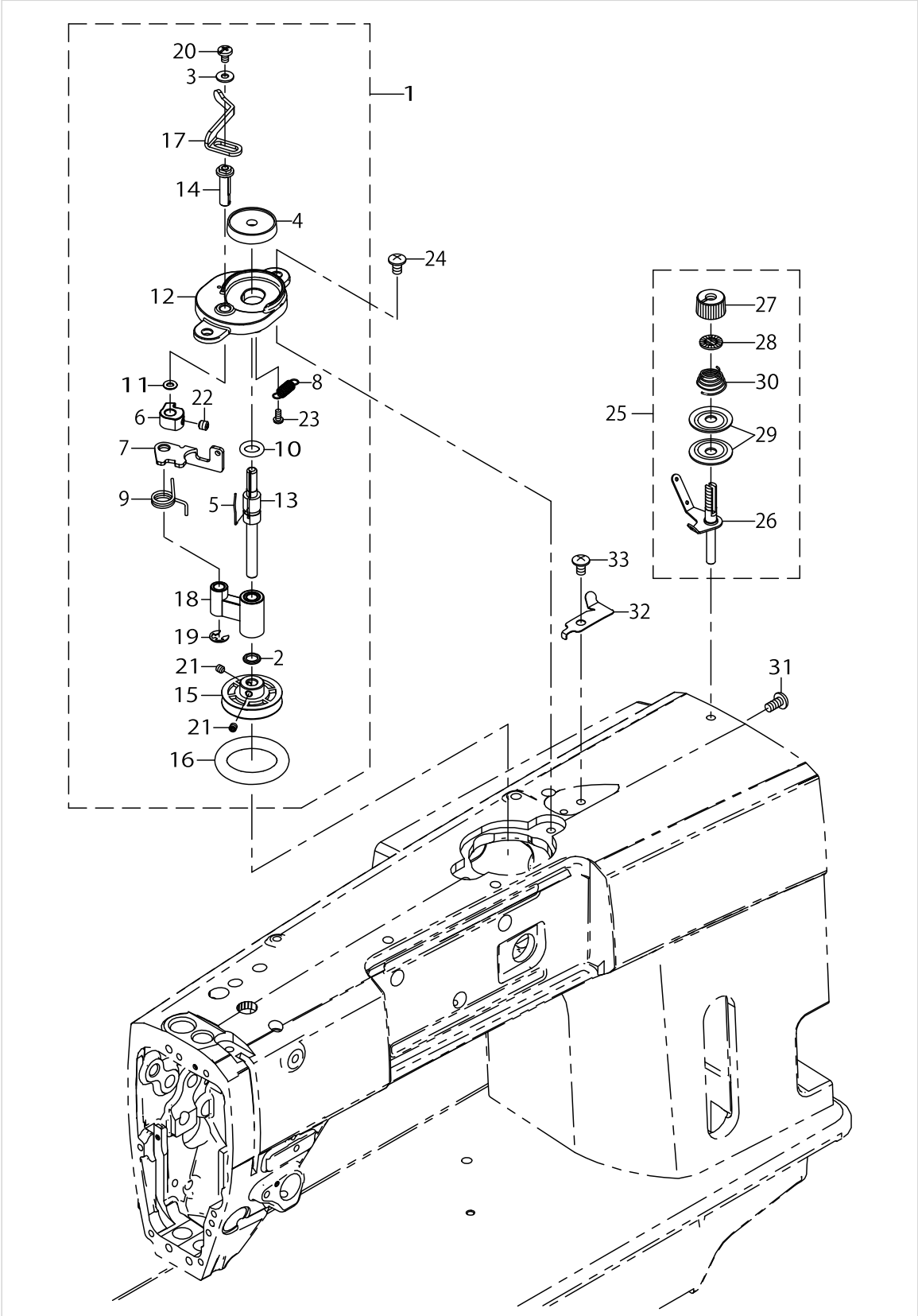
MACHINE FRAME & MISCELLANEOUS COVER COMPONENTS



MACHINE FRAME & MISCELLANEOUS COVER COMPONENTS

No.	Parts No.	Parts name	Remarks	Level	Cons	Qty
48	22921803	DISK STOPPER		*		1
49	SS8090670SP	SCREW 9/64-40 L=5.5		*		1
50	TA1250406R0	RUBBER PLUG D=12.5 L=4				1
51	40009037	TAKE-UP THREAD GUIDE				1
52	SL4041281SC	SCREW M4X0.7 L=12				1
53	NM6040001SC	NUT M4X0.7 TYPE1				1
54	B1109552000	THROAT PLATE				1
55	SL4051691SC	SCREW M5X0.8 L=16				3
56	40136258	CORD HOLDER				1
57	40091461	FEED_LEVER_SPRING_HOOK				1
58	40174322	CORD_CLAMP_BUSH				1
59	22901805	GROUND MARK				1
60	SM4050855SP	SCREW				1
61	WT0530002KS	TOOTHED WASHER D=5.3				1

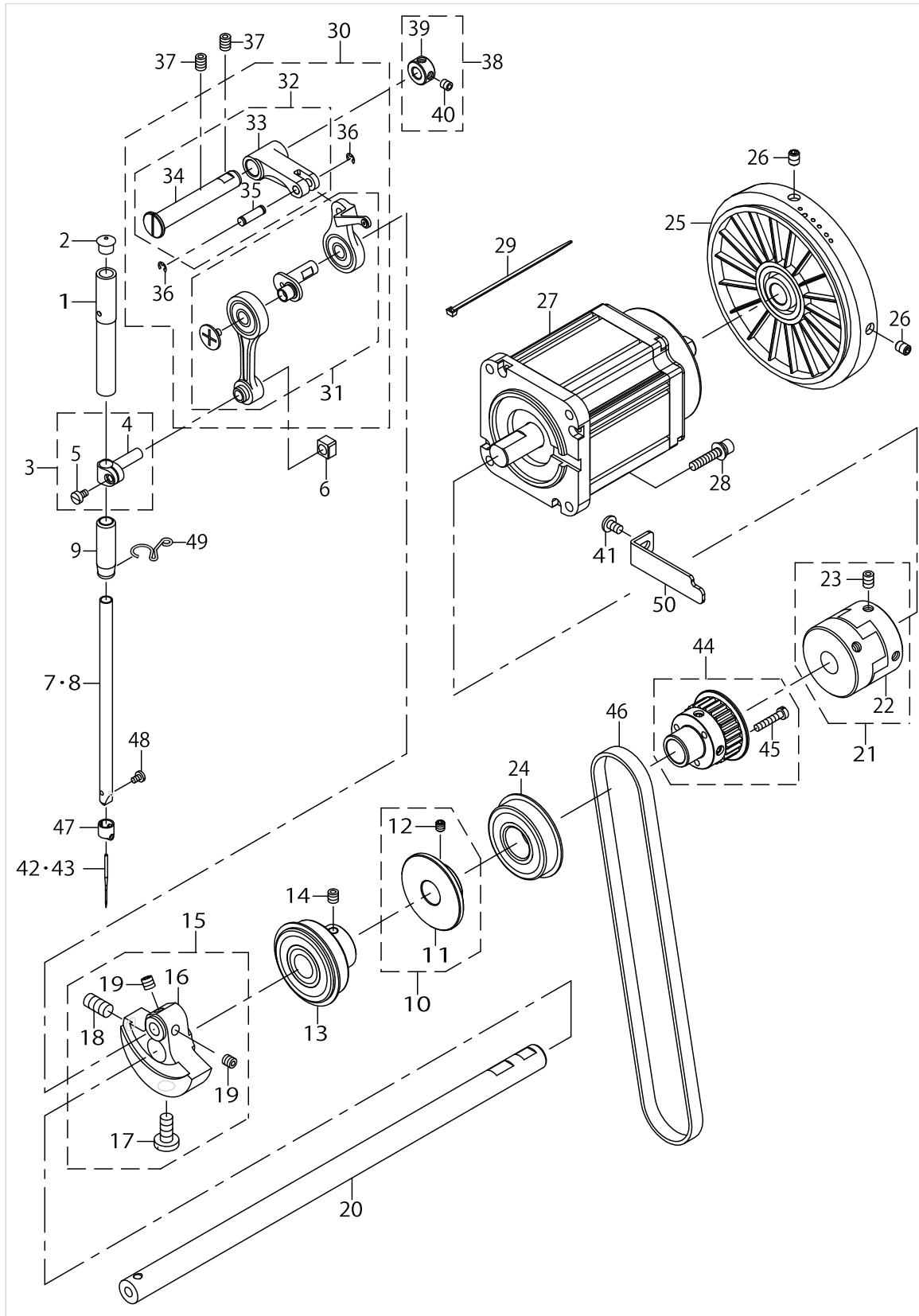
BOBBIN WINDER COMPONENTS



BOBBIN WINDER COMPONENTS

No.	Parts No.	Parts name	Remarks	Level	Cons	Qty
1	40191107	BOBBIN_WINDER_UNIT_N				1
2	22891204	BEARING SUPPORT		*		1
3	40166870	WASHER		*		1
4	40166872	BOBBIN_SUPPORT		*		1
5	40166881	BOBBIN_FIXED_SPRING		*		1
6	40166885	BOBBIN_PRESSER_CAM		*		1
7	40166886	BOBBIN_WINDER_LEVER		*		1
8	40166887	BOBBIN_WINDER_LEVER_SPRING		*		1
9	40166888	SPRING		*		1
10	40166893	STOPPER_RUBBER		*		1
11	40166894	O_RING		*		1
12	40191108	BTW_BASE_N		*	☆	1
13	40191109	BOBBIN_WINDER_SHAFT_N		*	☆	1
14	40191111	BOBBIN_WINDER_ARM_SHAFT_N		*		1
15	40191113	BOBBIN_WINDER_WHEEL_N		*		1
16	40191114	BTW_WHEEL_RUBBER_N		*		1
17	40191115	BOBBIN_PRESSER_N		*		1
18	40191116	BOBBIN_WINDER_SUPPORT_N_ASM.		*		1
19	RE0500000K0	E-RING		*		1
20	SM5040655SN	SCREW		*		1
21	SM8040412TP	SET SCREW M4 L=4		*		2
22	SM8050502TP	SCREW M5 L=5		*		1
23	ST4030651SN	SCREW M3 X 6		*		1
24	SM0050801SC	SCREW				2
25	40088958	BOBBIN THREAD TENSION ASM.				1
26	40088959	BOBBIN THREAD TENSION ROD ASM.		*		1
27	22921308	THREAD TENSION NUT		*		1
28	22921407	ROTATION STOPPER		*		1
29	22921506	THREAD TENSION DISK		*		2
30	22921704	THREAD TENSION SPRING		*		1
31	SM4051055SP	SCREW				1
32	40037008	THREAD_CUTTER				1
33	SM0050801SC	SCREW				1

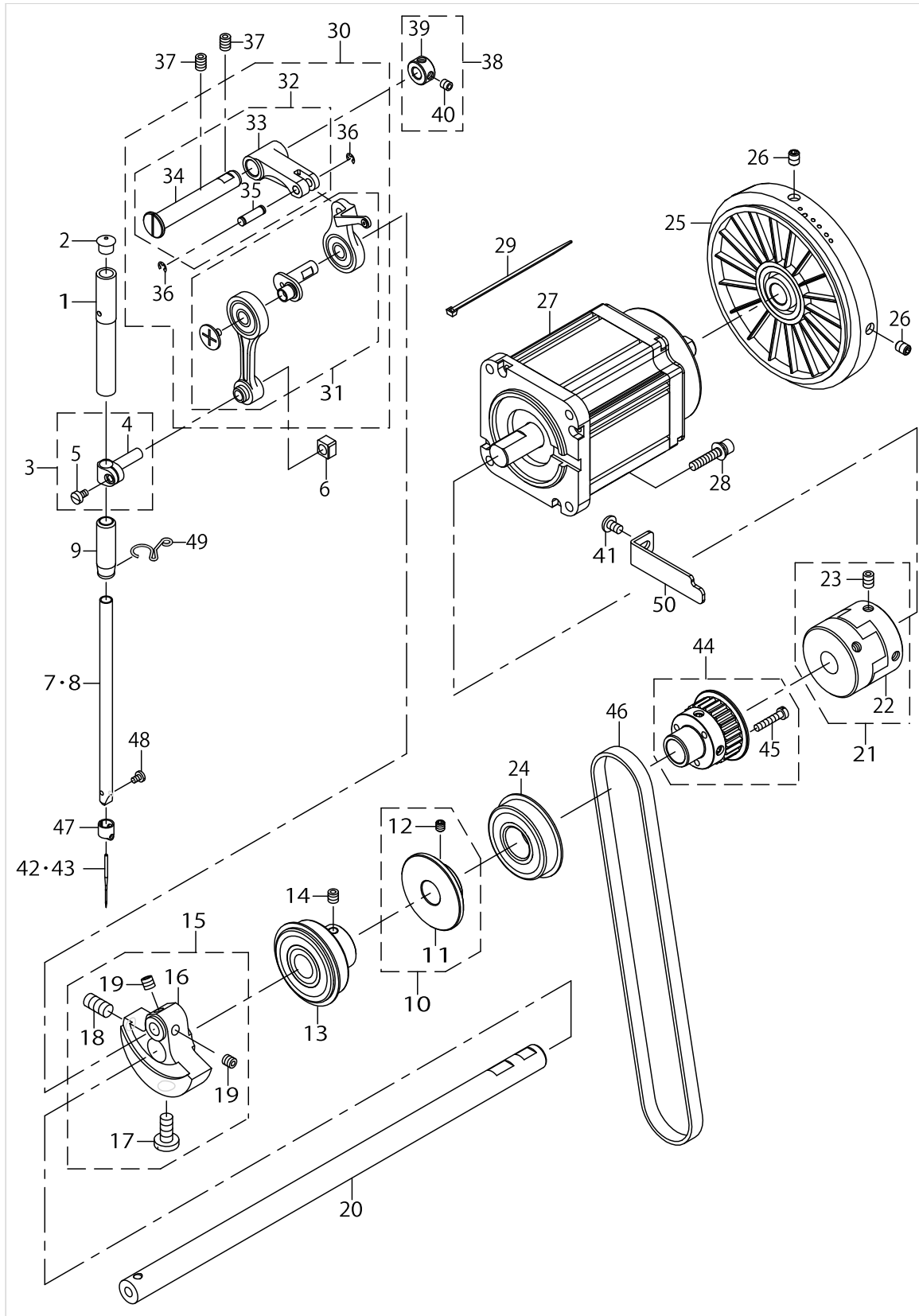
MAIN SHAFT & NEEDLE BAR COMPONENTS



MAIN SHAFT & NEEDLE BAR COMPONENTS

No.	Parts No.	Parts name	Remarks	Level	Cons	Qty
1	23608003	NEEDLE BAR METAL,UPPER				1
2	22901409	NEEDLE BAR UPPER BUSH CAP				1
3	22906457	NEEDLE BAR HOLDER ASM.				1
4	22906408	NEEDLE ROD HOLDER		*		1
5	SS6090670TP	SCREW 9/64-40 L=6		*		1
6	40090058	SLIDE BLOCK				1
7	22887004	NEEDLE BAR (B)	FOR BB			1
8	22886907	NEEDLE BAR (A)	FOR AA,GG			1
9	40086605	NEEDLE_BAR_LOWER_METAL_MD				1
10	40136292	BTW_DRIVING_WHEEL_ASM.				1
11	40136293	BTW_DRIVING_WHEEL		*		1
12	SM80506A2TP	SCREW M5 L=6		*		2
13	40150011	FRONT_BEARING				1
14	SM80608A2TP	SCREW M6 L=8				2
15	40135904	ASSY_COUNTER WEIGHT				1
16	40135916	COUNTER WEIGHT		*		1
17	40004171	COUNTER_WEIGHT_SCREW		*		1
18	SM8081652TP	SCREW M8 L=16		*		1
19	SM80606A2TP	SCREW M6 L=6		*		2
20	40086597	MAIN_SHAFT				1
21	40172398	COUPLING_ASM.				1
22	40172393	COUPLING		*		1
23	SM80608A2TP	SCREW M6 L=8		*		4
24	SB120002700	BEARING				1
25	40215866	HAND_WHEEL				1
26	SM80608A2TP	SCREW M6 L=8				2
27	40211082	AC SERVO MOTOR				1
28	SL6052592TN	BOLT				4
29	EA9500B0100	CABLE BAND				1
30	40174341	THREAD_TAKE_UP_COMP.				1
31	40135905	THREAD_TAKE_UP_ASM_C		*		1
32	40174342	TAKE_UP_CRANK_ASM.		*		1
33	40174343	TAKE_UP_CRANK		*		1
34	40174344	TAKE_UP_CRANK_SHAFT		*		1
35	40135907	THREAD_TAKE_UP_PIN		*		1
36	RE0300000K0	E-RING 3		*		2
37	SM80608A2TP	SCREW M6 L=8				2
38	40032269	THRUST COLLAR				1
39	CS1000881TP	THRUST COLLAR		*		1
40	SM80506A2TP	SCREW M5 L=6		*		2
41	SM4050855SP	SCREW				1
42	MC200500750	NEEDLE 134 NM75	FOR BB		☆	1
43	MDB100B1100	NEEDLE DBX1 #11	FOR AA,GG		☆	1
44	40141440	UPPER SPROCKET ASM.				1
45	SM6042000SP	SCREW		*		3
46	40086731	TIMING_BELT_550				1
47	22906309	NEEDLE BAR THREAD GUIDE				1

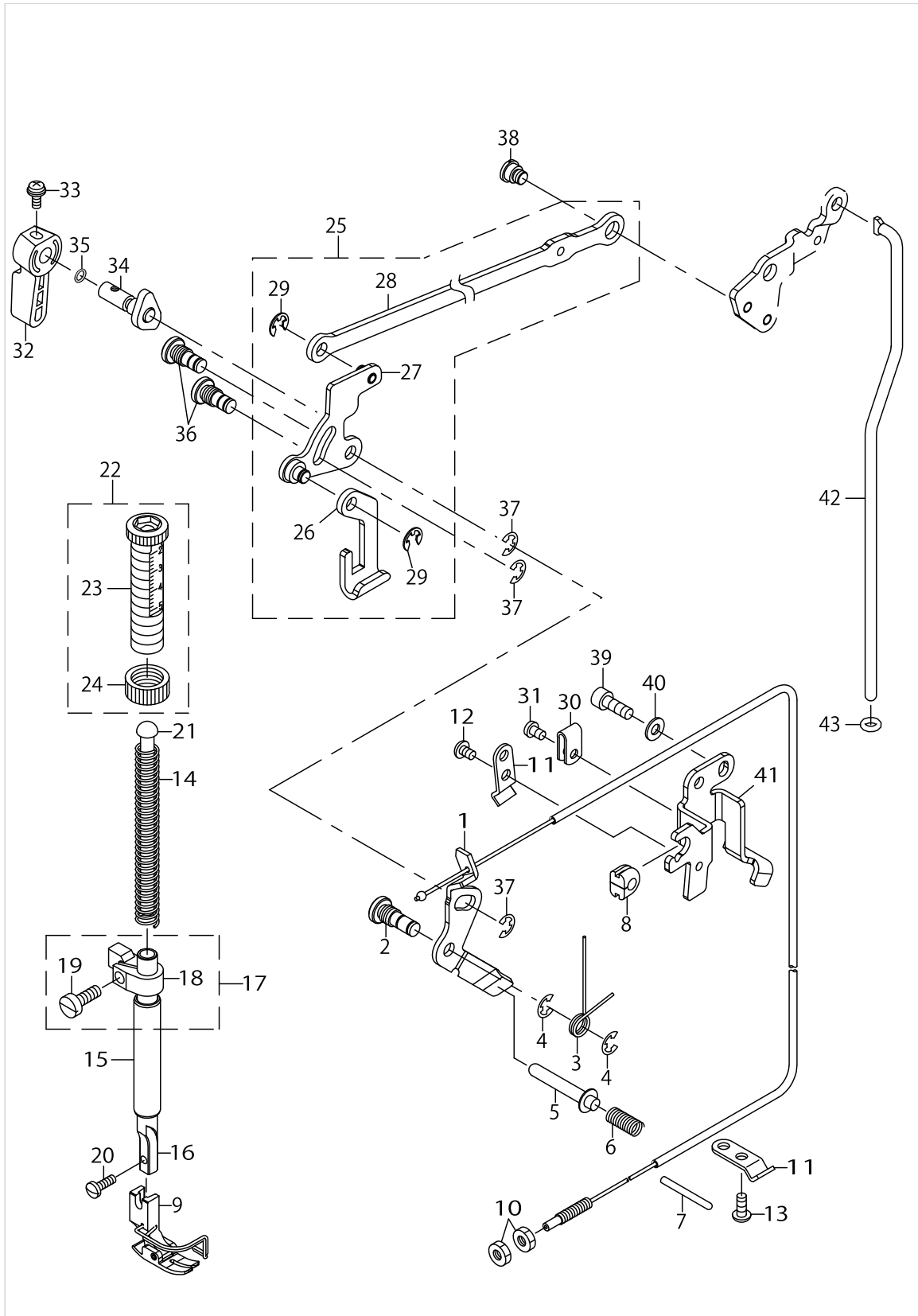
MAIN SHAFT & NEEDLE BAR COMPONENTS



MAIN SHAFT & NEEDLE BAR COMPONENTS

No.	Parts No.	Parts name	Remarks	Level	Cons	Qty
48	SS7080510TP	SCREW 1/8-44 L=4.5			☆	1
49	40174349	NEEDLE BAR THREAD GUIDE				1
50	40215263	MOTOR CABLE GUIDE				1

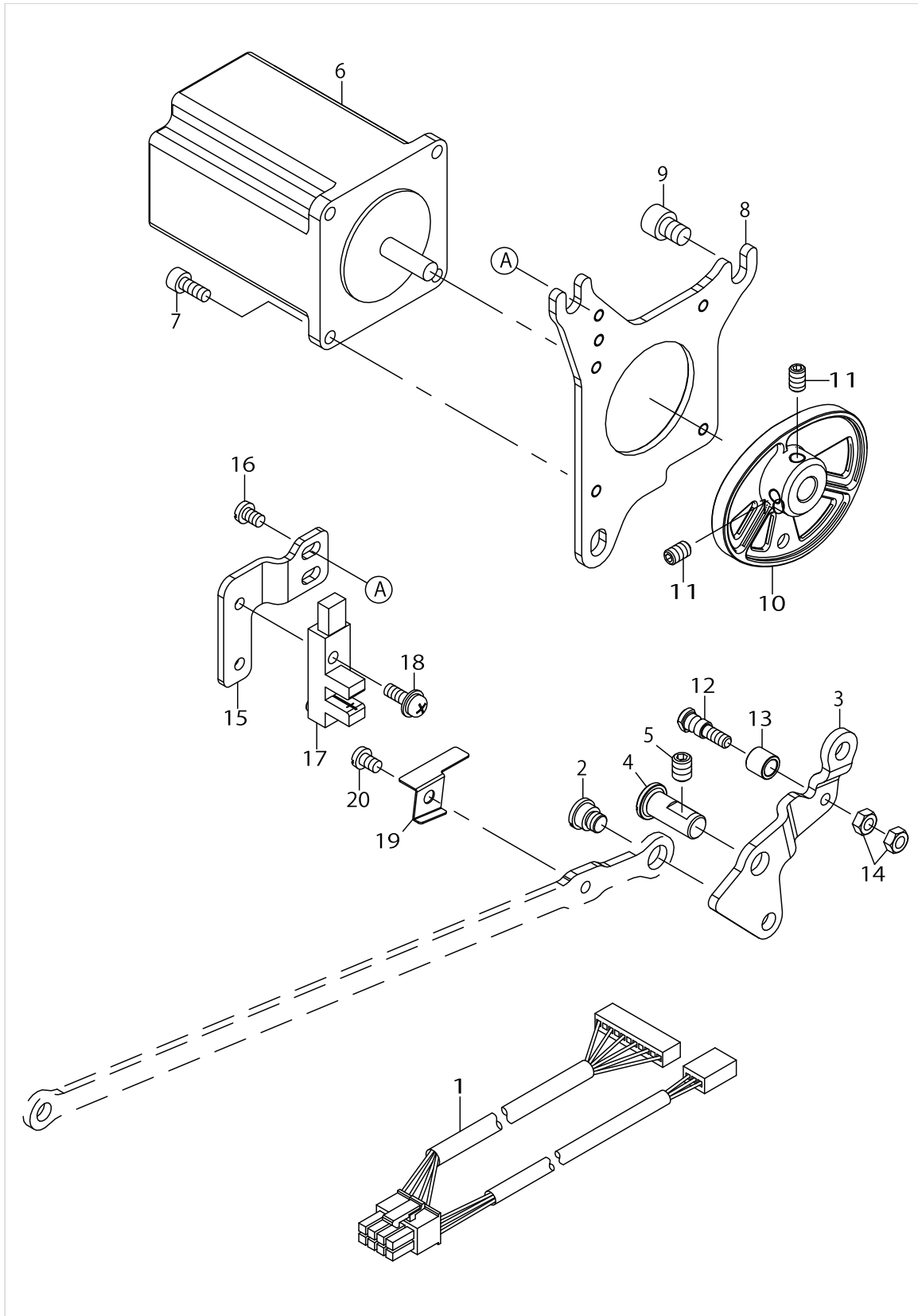
HAND LIFTER & TENSION RELEASE COMPONENTS



HAND LIFTER & TENSION RELEASE COMPONENTS

No.	Parts No.	Parts name	Remarks	Level	Cons	Qty
1	40211525	THREAD RELEASE WIRE ASM.				1
2	40050582	TENSION RELEASE SHAFT				1
3	23626807	TENSION RELEASE RETURN SPRING				1
4	RE0500000K0	E-RING				2
5	22920300	THREAD RELEASE SUPPORTING PIN				1
6	22920409	THREAD RELEASE PIN SPRING				1
7	B3118552F00	TENSION RELEASING PIN				1
8	GPK26023000	BUSH A				1
9	B15240120BA	PRESSER FOOT ASM.				1
10	NS6620310SP	NUT 3/16-32				2
11	22944508	WIRE PRESSER A				2
12	SM4040655SP	SCREW M4 L=6				1
13	SM4041055SP	SCREW				1
14	22907406	PRESSER SPRING				1
15	23609001	BUSHING				1
16	40017805	PRESSER BAR				1
17	40086606	PRESSER_BAR_GUIDE_BRACKET_ASM.				1
18	40086607	PRESSER_BAR_GUIDE_BRACKET		*		1
19	SM6051400SP	SCREW		*		1
20	SS7091110TP	SCREW 9/64-40 L=10.5			☆	1
21	22907703	PRESSER GUIDE BAR				1
22	40037359	PRESSER SPRING REGULATOR ASM.				1
23	40037141	PRESSER SPRING REGULATOR		*		1
24	40037144	PRESSER SPRING REGULATOR NUT		*		1
25	40211528	LIFT LINK ASSY				1
26	22908008	LIFTING PLATE		*		1
27	40211527	LIFTING LINK ASM.		*		1
28	40211526	LIFT LINK PLATE		*		1
29	RE0500000K0	E-RING		*		2
30	HX001500000	CLIP				1
31	SM4040601SC	SCREW M4X0.7 L=6				1
32	22907802	HAND LIFTER				1
33	B1521555000	SCREW				1
34	22908552	HAND LIFTER CAM ASM.				1
35	RO037180100	RUBBER RING				1
36	40050583	LINK SHAFT				2
37	RE0500000K0	E-RING				3
38	40174388	HINGE_SCREW				1
39	SM6051402TP	SCREW M5X0.8 L=14				2
40	WP0501016SD	WASHER 5X10.5X1				2
41	40174573	CABLE_CLAMP_PLATE				1
42	40172403	CONNECTING ROD				1
43	RO044240100	RUBBER RING				1

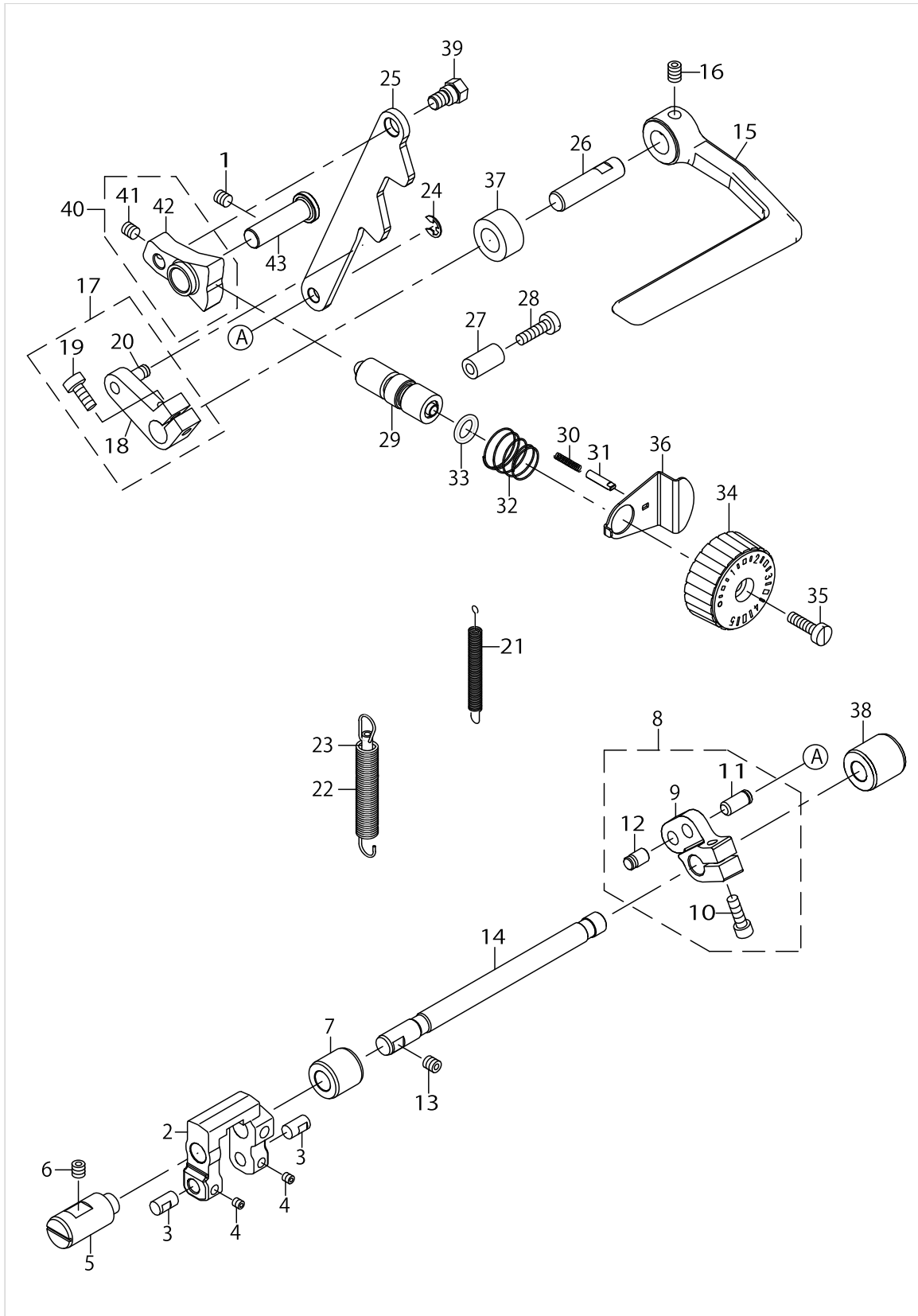
HAND LIFTER COMPONENTS (AK)



HAND LIFTER COMPONENTS (AK)

No.	Parts No.	Parts name	Remarks	Level	Cons	Qty
1	40211512	MOTOR RELAY CABLE ASSY				1
2	40174388	HINGE_SCREW				1
3	40172401	AK_LEVER				1
4	40172402	PRESSER_LEVER_SHAFT				1
5	SM80608A2TP	SCREW M6 L=8				1
6	40211442	PRESSER MOTOR				1
7	SM6040802TP	SCREW M4X0.7 L=8				4
8	40212095	MOTOR BASE				1
9	SM6060802TP	SCREW M6 L=8				3
10	40174375	CAM				1
11	SM8050852TP	SCREW M5X8				2
12	40040256	CAM_ROLLER_SHAFT				1
13	40004254	UTT_CAM_ROLLER				1
14	NM6040001SP	NUT M4X0.7				2
15	40212098	PBL SENSOR BKT				1
16	SM4040655SP	SCREW M4 L=6				2
17	HD002230000	PHOTO SENSOR				1
18	SL4041291SC	SCREW M4 L=12				1
19	40211777	PBL SENSOR PLATE				1
20	SM4040655SP	SCREW M4 L=6				1

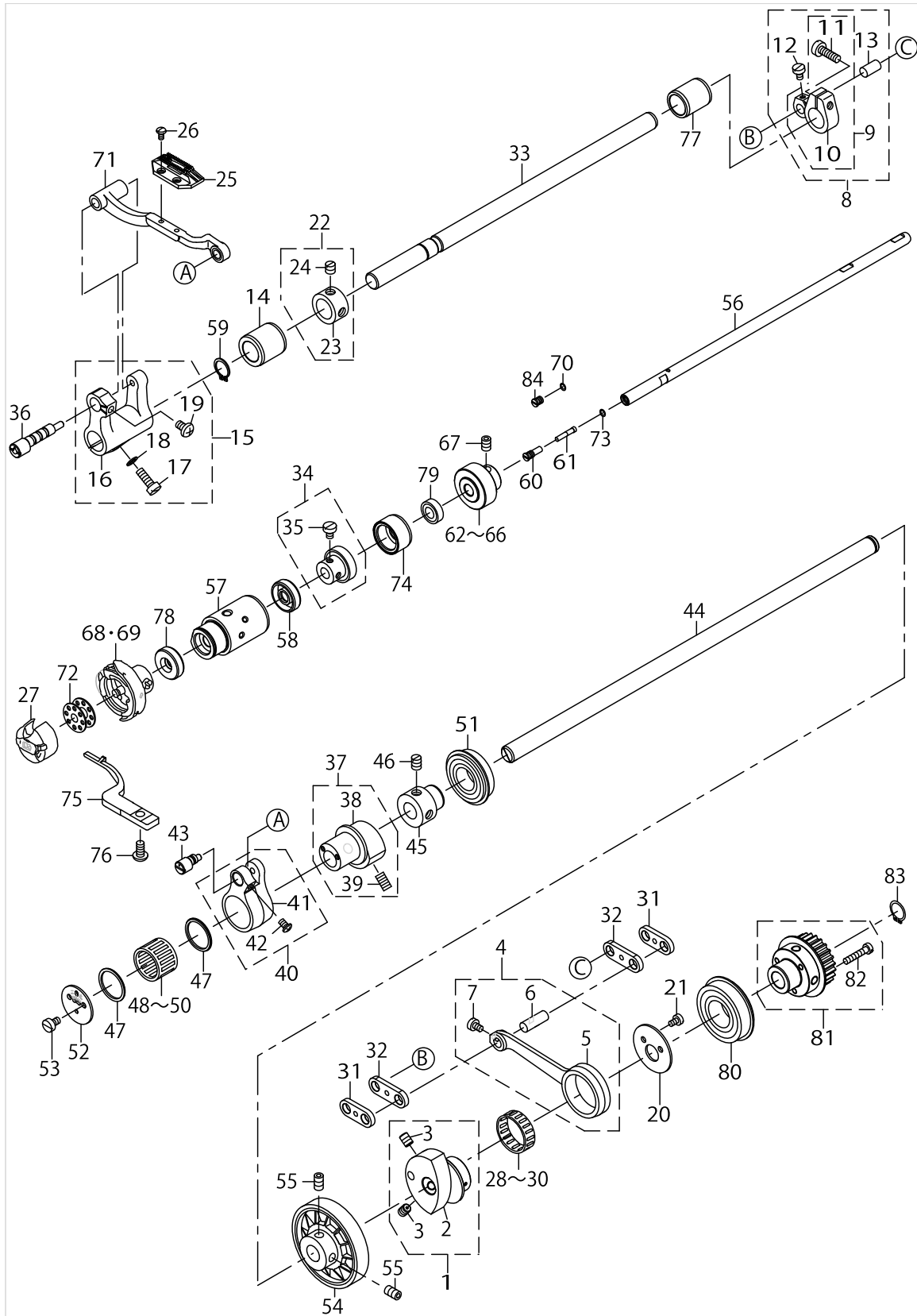
FEED ADJUST MECHANISM COMPONENTS



FEED ADJUST MECHANISM COMPONENTS

No.	Parts No.	Parts name	Remarks	Level	Cons	Qty
1	SM80608A2TP	SCREW M6 L=8				1
2	40086695	FEED_ADJUSTING_LINK				1
3	40086696	FEED_ADJUSTING_LINK_PIN				2
4	SM80506A2TP	SCREW M5 L=6				2
5	40172467	ADJUSTING_LINK_FULCRUM_SHAFT				1
6	SM80606A2TP	SCREW M6 L=6				1
7	40172508	FEED_CHANGING_SHAFT_METAL_A				1
8	40086704	FEED_CHANGING_SHAFT_ARM_ASM.				1
9	40086705	FEED_CHANGING_SHAFT_ARM		*		1
10	SM6051602TP	SCREW M5X0.8 L=16		*		1
11	22910509	FEED ADJUSTING LINK PIN		*		1
12	40086706	FEED_CHANGING_SPRING_PIN		*		1
13	SM80606A2TP	SCREW M6 L=6				1
14	40172460	FEED_CHANGING_SHAFT				1
15	40211523	REVERSE FEED LEVER				1
16	SM80606A2TP	SCREW M6 L=6				2
17	40086674	FEED_LEVER_ARM_ASM.				1
18	40086675	FEED_LEVER_ARM		*		1
19	SM6051602TP	SCREW M5X0.8 L=16		*		1
20	22912307	PIN		*		1
21	40086739	FEED LEVER SPRING				1
22	40086737	FEED ADJUSTING SPRING				1
23	23630007	TUBE				0.1
24	RE0500000K0	E-RING				1
25	40211502	FEED ADJUSTING ROD				1
26	40211449	FEED_LEVER_SHAFT				1
27	22952501	BACK LEVER STOPPER				1
28	SM6051850TP	SCREW M5 L=18				1
29	40141842	FEED_REGULATOR_SCREW				1
30	22912109	FEED REGULATOR PIN SPRING				1
31	40161440	FEED_REGULATOR_PIN				1
32	40141840	REGULATOR STOPPER SPRING				1
33	RO092270200	RUBBER RING				1
34	40211459	REGULATOR PIN DIAL				1
35	SS6121860SP	SCREW 3/16-28 L=18				1
36	40161441	REGULATOR_PIN_STOPPER				1
37	40211953	FEED REVER SHAFT METAL				1
38	40086616	FEED_CHANGING_SHAFT_METAL_B				1
39	23613409	FEED ADJUSTING PIN				1
40	40095847	FEED REGULATOR ASM.				1
41	SM80606A2TP	SCREW M6 L=6		*		1
42	40122891	FEED_REGULATOR		*		1
43	40006716	THREAD_TRIMMER_SHAFT				1

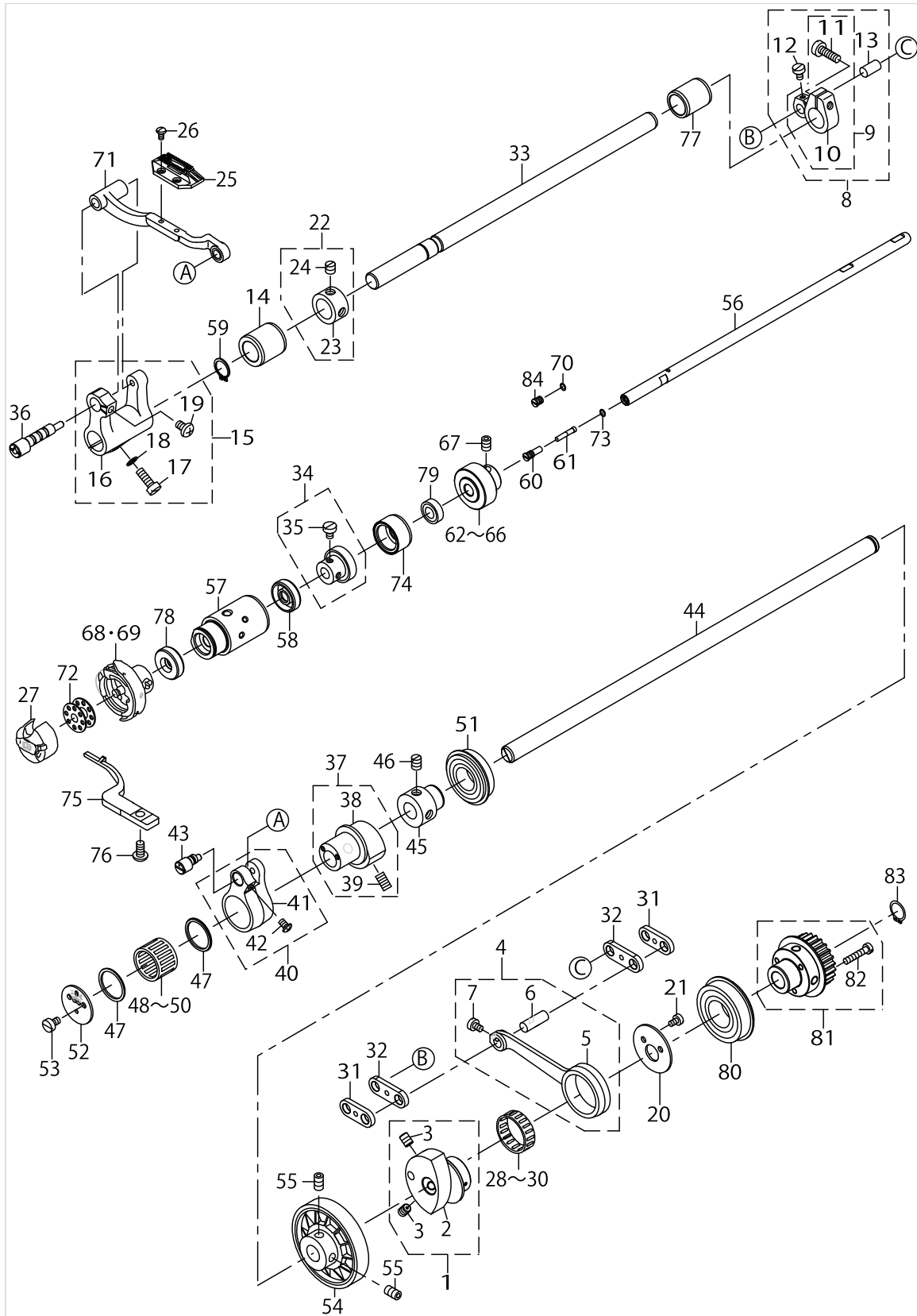
HORIZONTAL FEED, VERTICAL FEED & HOOK DRIVING SHAFT COMPONENTS



HORIZONTAL FEED, VERTICAL FEED & HOOK DRIVING SHAFT COMPONENTS

No.	Parts No.	Parts name	Remarks	Level	Cons	Qty
1	40174296	ASSY_FEED_ROCKER_CAM				1
2	40174297	FEED_ROCKER_CAM		*		1
3	SS8150822TP	SCREW 15/64-28 L=8		*		2
4	40037365	FEED ROCKER ROD ASM.				1
5	40026277	FEED ROCKER ROD		*		1
6	22911101	WALKING FOOT PIN C		*		1
7	SS6090620TP	SCREW		*		1
8	40061246	FEED ROCKER ARM ALL ASM.				1
9	40058504	FEED ROCKER ARM ASM.		*		1
10	40042079	FEED ROCKER ARM		*		1
11	SS6121610SP	SCREW 3/16-28 L=15.5		*		1
12	SS6090620TP	SCREW		*		1
13	22911002	WALKING FOOT PIN B		*		1
14	40213205	FEED ROCKER SHAFT BUSHING				1
15	40037005	ASSY_FEED_ROCKER_BASE_ARM				1
16	40026281	FEED ROCKER BASE ARM		*		1
17	SM6051400SP	SCREW		*		1
18	WP0531000SD	WASHER M5		*		1
19	SM4050855SP	SCREW		*		1
20	40174298	FEED_ROCKER_CAM_TOP				1
21	SS6090670TP	SCREW 9/64-40 L=6				2
22	22904155	MAIN SHAFT THRUST COLLAR ASM.				1
23	22904106	MAIN SHAFT THRUST COLLAR		*		1
24	SS8660610TP	SCREW 1/4-40 L=6		*		2
25	40133950	FEED DOG M				1
26	SS4080620TP	SCREW 1/8-44 L=6				2
27	11038759	BOBBIN CASE ASM.			☆	1
28	B412352200A	NEEDLE BEARING	SELECTIVE PARTS			1
29	B412352200B	NEEDLE ROLLAR	SELECTIVE PARTS			1
30	B412352200C	NEEDLE ROLLAR	SELECTIVE PARTS			1
31	40174300	FEED_CONNECTING_LINK_A				2
32	40174302	FEED_CONNECTING_LINK_B				2
33	40211085	FEED ROCKER SHAFT				1
34	40191133	HOOK SHAFT REAR BEARING				1
35	SS6110710TP	SCREW 11/64-40 L=6.5		*		2
36	40026282	FEED ROCKER BASE SHAFT				1
37	40000391	VERTICAL FEED CAM ASM. 5				1
38	40000392	VERTICAL FEED CAM 5		*		1
39	SS8151150TP	SCREW 15/64-28 L=10.5		*		2
40	40053720	FEED DRIVING BASE ARM ASM.				1
41	40026287	FEED DRIVING BASE ARM		*		1
42	SM4040655SP	SCREW M4 L=6		*		1
43	40026288	FEED DRIVING BASE SHAFT				1
44	40211086	FEED DRIVING SHAFT				1
45	40086690	FEED_DRIVING_BEARING_SUPPORT				1
46	SS8661012TP	SCREW				2
47	23618101	FEED DRIVING CAM THRUST BUSH				2

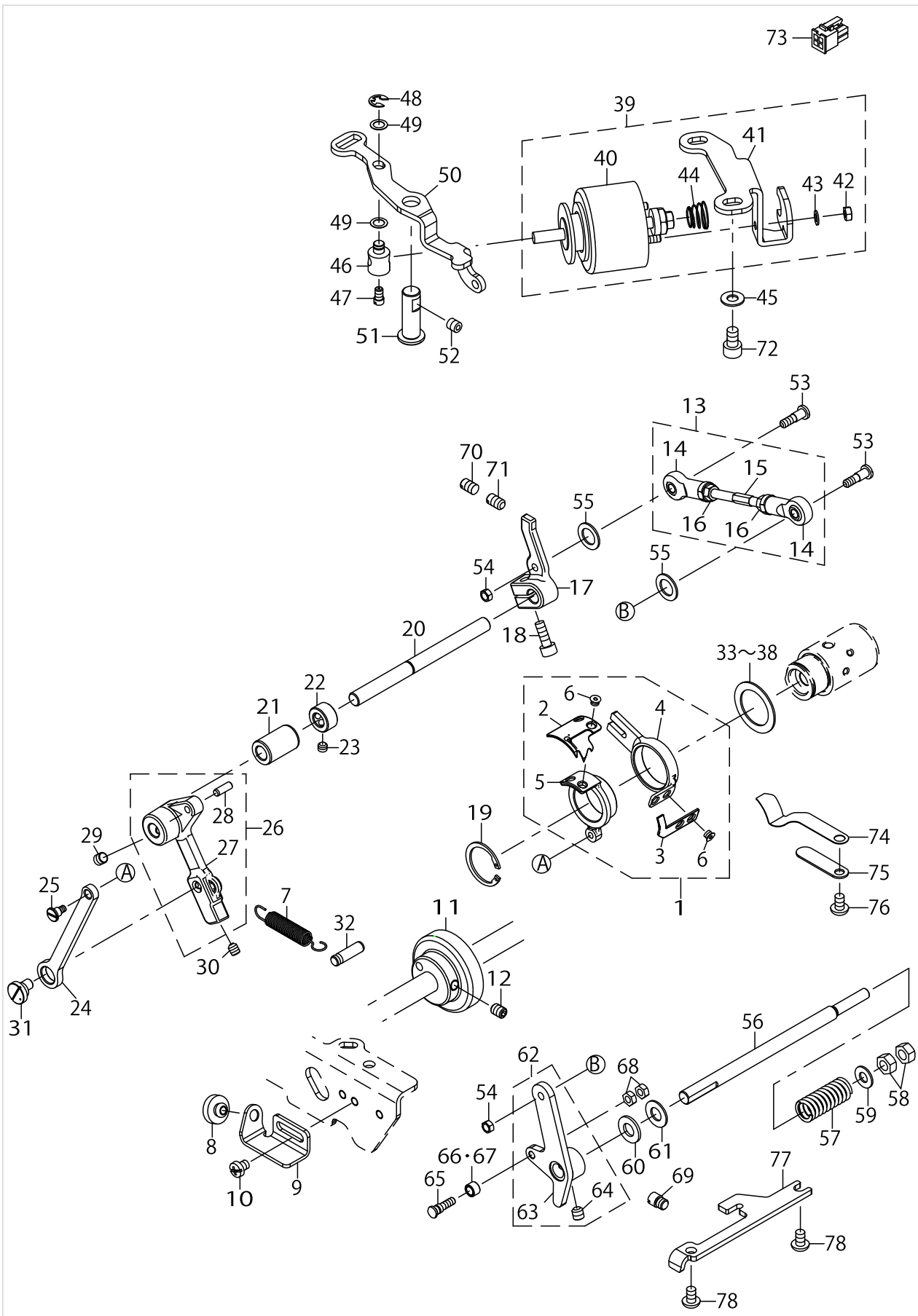
HORIZONTAL FEED, VERTICAL FEED & HOOK DRIVING SHAFT COMPONENTS



HORIZONTAL FEED, VERTICAL FEED & HOOK DRIVING SHAFT COMPONENTS

No.	Parts No.	Parts name	Remarks	Level	Cons	Qty
48	SB32000060A	BEARING	SELECTIVE PARTS			1
49	SB32000060B	BEARING	SELECTIVE PARTS			1
50	SB32000060C	BEARING	SELECTIVE PARTS			1
51	SB117001200	BEARING				1
52	23618309	FEED DRIVING CAM PLATE				1
53	SS6090670TP	SCREW 9/64-40 L=6				2
54	40174334	GEAR_LARGE				1
55	SM80608A2TP	SCREW M6 L=8				2
56	40174328	HOOK_SHAFT				1
57	40174331	HOOK_SHAFT_METAL_ASM.				1
58	40145927	OIL SEAL				1
59	RC0150001KP	C-RING 15(13.8)				1
60	22916506	SET SCREW				1
61	11015906	OIL WICK				1
62	40174335	GEAR_SMALL_A	SELECTIVE PARTS			1
63	40174336	GEAR_SMALL_B	SELECTIVE PARTS			1
64	40174337	GEAR_SMALL_C	SELECTIVE PARTS			1
65	40174338	GEAR_SMALL_D	SELECTIVE PARTS			1
66	40174369	GEAR_SMALL_E	SELECTIVE PARTS			1
67	SM80608A2TP	SCREW M6 L=8				2
68	11141355	HOOK ASM.	FOR BB		☆	1
69	11038650	HOOK ASM.	FOR AA,GG		☆	1
70	RO036080200	RUBBER RING	OPTIONAL PARTS			1
71	40030786	FEED BASE COMPL.				1
72	22932909	BOBBIN			☆	1
73	RO036080200	RUBBER RING				1
74	40174333	HOOK SHAFT REAR METAL				1
75	40089607	INNER_HOOK HOLDER				1
76	SM4051055SP	SCREW				1
77	22913008	FEED ROCKER SHAFT BUSHING				1
78	40010805	OIL SEAL RING				1
79	SB108000100	BEARING				1
80	SB120001800	BEARING				1
81	40174577	UNDER_SPROCKET_ASM.				1
82	SM6042000SP	SCREW		*		3
83	RC1200001KP	C-SHAPED SNAP RING				1
84	11079506	FRONT SCREW	OPTIONAL PARTS			1

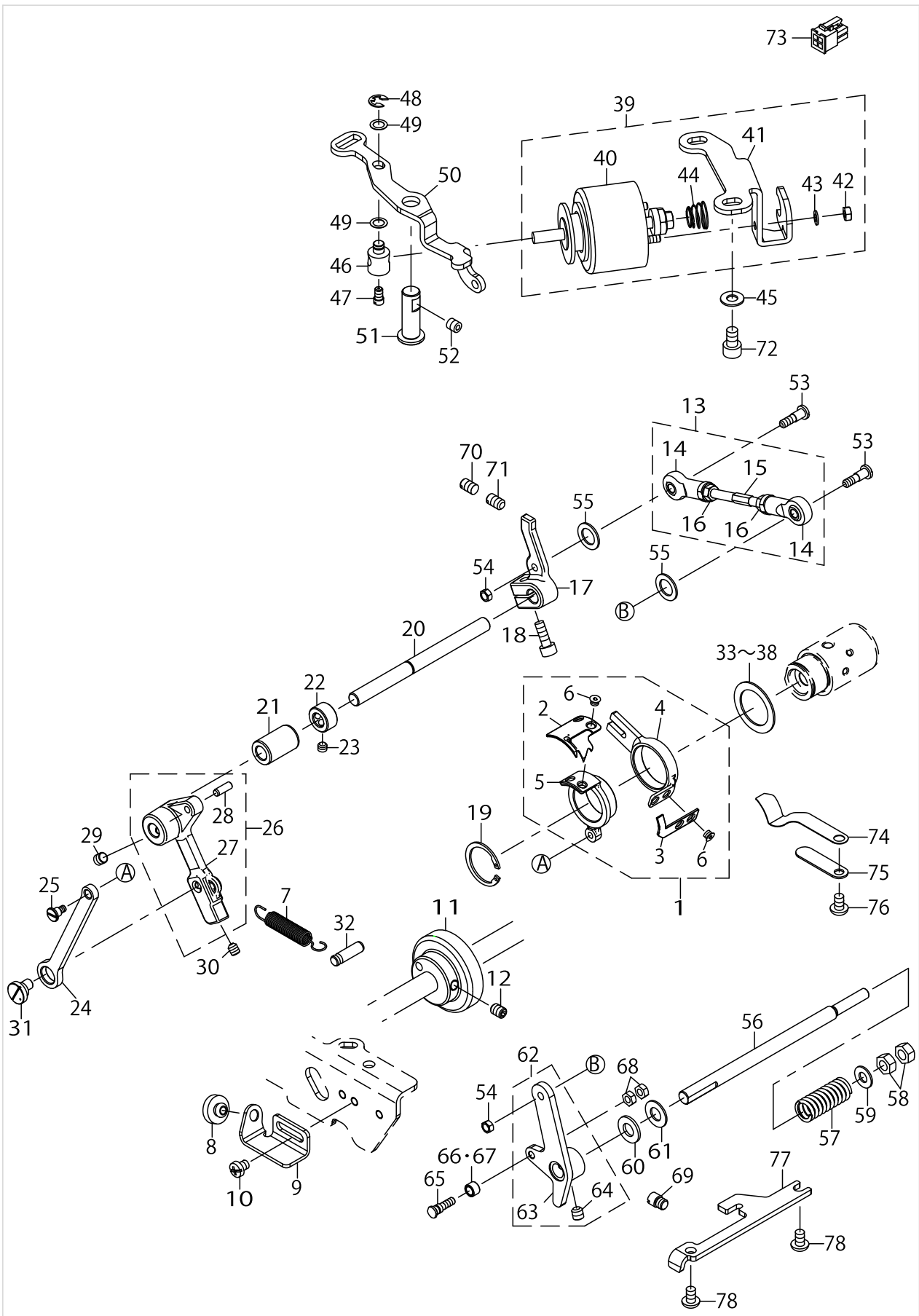
THREAD TRIMMER COMPONENTS



THREAD TRIMMER COMPONENTS

No.	Parts No.	Parts name	Remarks	Level	Cons	Qty
1	40211087	KNIFE UNIT				1
2	40195289	MOVING_KNIFE		*	☆	1
3	40195552	THREAD_TRIMMER_KNIFE_H		*	☆	1
4	40174318	THREAD_TRIMMER_BASE		*		1
5	40211713	MOVING KNIFE BASE		*		1
6	11420601	SCREW		*	☆	4
7	40211778	TRIMMER BACK SPRING				1
8	B1116210D00	FRAME SUPPORT RUBBER				1
9	40172498	RUBBER_STOPPER_PLATE				1
10	SM4050655SP	SCREW M5 L=6				2
11	40214565	THREAD TRIMMER CAM A				1
12	SM80608A2TP	SCREW M6 L=8				2
13	40174323	CONNECTING_ROD_ASM_R				1
14	40136701	ROD_END		*		2
15	40174324	CONNECTING_BAR		*		1
16	NM6050001SC	NUT M5X0.8 TYPE1		*		2
17	40174315	TRIMMER_MOVING_ARM				1
18	SM6051402TP	SCREW M5X0.8 L=14				1
19	RC2651218KP	RETAINING RING				1
20	40213952	TRIMMER MOVING SHAFT				1
21	40172482	THREAD_TRIMMER_METAL_A				1
22	CS0800881TP	THRUST COLLAR				1
23	SM80506A2TP	SCREW M5 L=6				2
24	40215691	THREAD TRIMMER ROD				1
25	SD0500403TP	SCREW				1
26	40174600	THREAD_TRIMMER_ARM_ASM.				1
27	40174314	THREAD_TRIMMER_ARM		*		1
28	40172479	THREAD_TRIMMER_ARM_PIN		*		1
29	SM8480652TP	SCREW				1
30	SM80506A2TP	SCREW M5 L=6				2
31	40215688	TRIMMER ADJUSTING PIN				1
32	22912307	PIN				1
33	11419504	THRUST COLLAR A	SELECTIVE PARTS			1
34	11419603	THRUST COLLAR B	SELECTIVE PARTS			1
35	11419702	THRUST COLLAR C	SELECTIVE PARTS			1
36	11419801	THRUST COLLAR D	SELECTIVE PARTS			1
37	11419900	THRUST COLLAR E	SELECTIVE PARTS			1
38	40174612	SPACER	SELECTIVE PARTS			1
39	40211510	THREAD TRIMMER SOLENOID D ASM.				1
40	40211511	THREAD TRIMMER SOLENOID		*		1
41	40174583	SOLENOID_INSTALLING_BASE		*		1
42	NM6040001SE	NUT M4		*		2
43	WS0410002KR	SPRING WASHER M4		*		2
44	40174584	SPRING		*		1
45	WP0621016SD	WASHER 6.2X13X1				2
46	40086711	SORENOID_PIN				1
47	SS6110710TP	SCREW 11/64-40 L=6.5				1

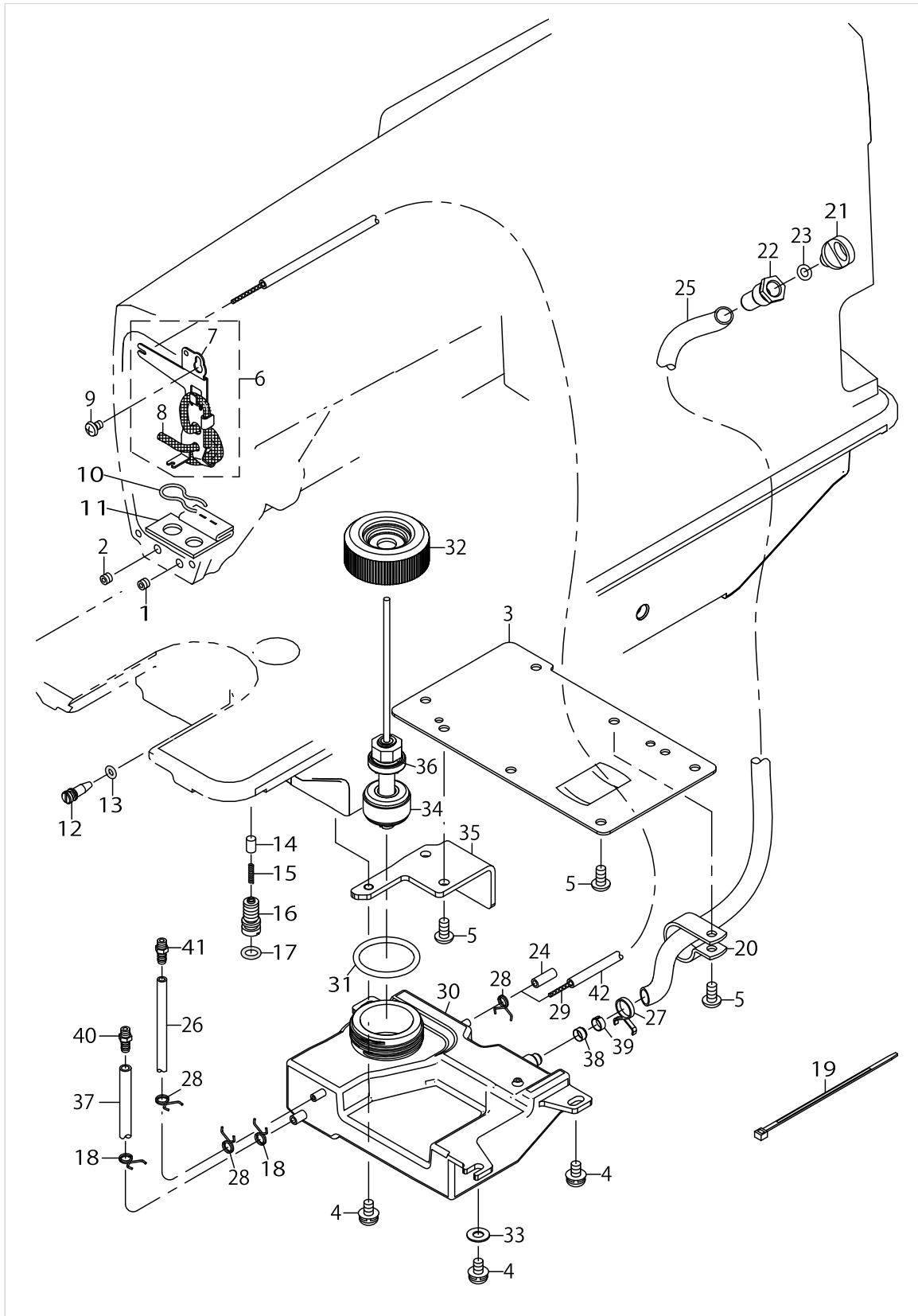
THREAD TRIMMER COMPONENTS



THREAD TRIMMER COMPONENTS

No.	Parts No.	Parts name	Remarks	Level	Cons	Qty
48	RE050000K0	E-RING				1
49	10618304	VERTICAL ROLLER WASHER				2
50	40172495	CLUTCH_PLATE				1
51	40086635	CLUTCH_SHAFT				1
52	SM8060812TP	SCREW M6 L=8				1
53	SD0500701TP	SHOULDER SCREW				2
54	NS6110310SP	HEXAGONAL NUT 11/64-40				2
55	40086712	CONNECTING ROD FELT				2
56	40172496	THREAD_TRIMMER_SHAFT				1
57	40172504	THREAD_TRIMMER_SPRING_D				1
58	NM6060001SC	NUT M6X1 TYPE1				2
59	WP0621016SH	WASHER				1
60	B1116804000	CLOTH PLATE WASHER				1
61	40090099	WASHER				1
62	40182053	ASSY_CAM_FOLLOWER				1
63	40181990	CAM_FOLLOWER_ASM.		*		1
64	SM80606A2TP	SCREW M6 L=6		*		2
65	40086748	ROLLER SHAFT				1
66	40015671	CAM_ROLLER	SELECTIVE PARTS			1
67	40174610	CAM_ROLLER_B	SELECTIVE PARTS			1
68	NM6040001SP	NUT M4X0.7				2
69	40086623	STOPPER_SCREW				1
70	SM8061050TP	SCREW				1
71	SM8061010TP	SCREW				1
72	SM6061002TP	SCREW M6 L=10				2
73	HK034610040	HOUSING				1
74	40211454	LOWER THREAD FINGER				1
75	40211898	LOWER THREAD FINGER PLATE				1
76	SM4050855SP	SCREW				1
77	40214745	CAM FOLLOWER STOPPER				1
78	SM4050855SP	SCREW				2

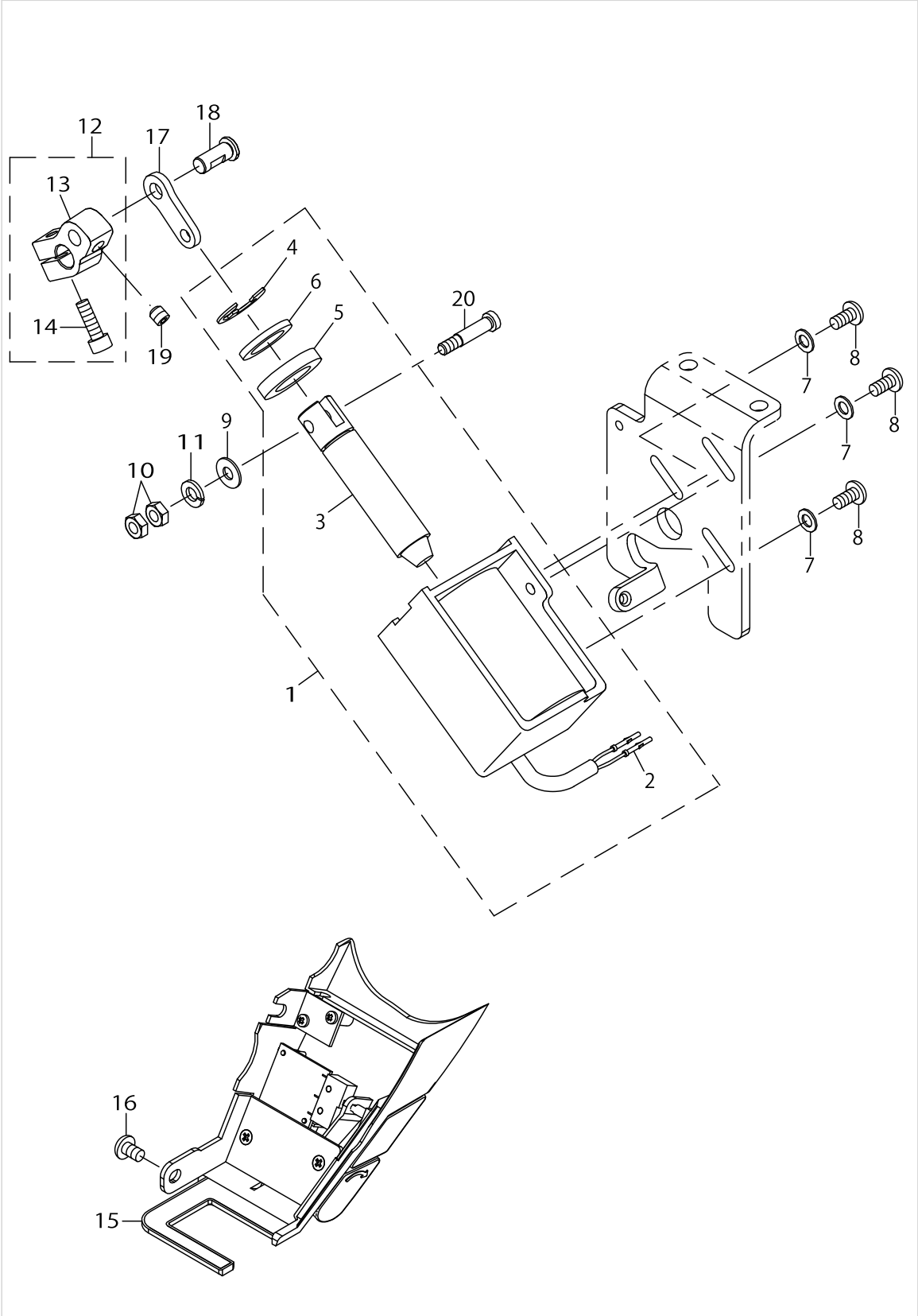
OIL LUBRICATION COMPONENTS



OIL LUBRICATION COMPONENTS

No.	Parts No.	Parts name	Remarks	Level	Cons	Qty
1	SM8050402TP	SCREW				1
2	SM8050402TP	SCREW				1
3	40174358	GEAR_BOX_COVER				1
4	SL4051091SC	SCREW M5X0.8 L=10				3
5	SM4051055SP	SCREW				7
6	23629256	OIL WICK SUPPORT ASM.	DDL-8000A-SSH ONLY			1
7	23629207	OIL WICK SUPPORT	DDL-8000A-SSH ONLY	*		1
8	CQ250000001	OIL WICK	DDL-8000A-SSH ONLY	*		0.25
9	SM5040655SN	SCREW	DDL-8000A-SSH ONLY			1
10	22925101	OIL FELT PRESSER	DDL-8000A-SSH ONLY			1
11	40075404	FACE FELT ASM.	DDL-8000A-SSH ONLY			1
12	40174365	OIL ADJUSTING SCREW				1
13	RO037180100	RUBBER RING				1
14	23628803	PLUNGER				1
15	23628902	PLUNGER SPRING				1
16	40038328	PLUNGER SCREW				1
17	RO068190100	RUBBER RING				1
18	40215311	PIPE STOPPER				2
19	EA9500B0100	CABLE BAND				1
20	HX00150000K	CABLE CLIP				1
21	40000344	LUBRICATING INLET CAP				1
22	40029075	LUBRICATING_INLET				1
23	RO048190100	RUBBER RING				1
24	23540305	FLOATER CASE CAP	DDL-8000A-MS ONLY			1
25	23630106	TUBE B				0.296
26	23630007	TUBE				0.117
27	23629405	PIPE STOPPER B				1
28	23629306	PIPE STOPPER A				3
29	CQ200000001	OIL WICK	DDL-8000A-SSH ONLY			0.9
30	40221269	OIL TANK				1
31	40221271	O-RING				1
32	40221270	OIL LEVEL SWITCH CAP				1
33	WP0560860SE	WASHER 5.6X12X0.8				1
34	40209293	FLOATER SENSOR				1
35	40221273	OIL TANK STAY				1
36	RO118180100	O-RING				1
37	40178658	PIPE				0.155
38	23630403	OIL FILTER				1
39	23630502	OIL FILTER STOPPER				1
40	40174356	CONNECTING SCREW				1
41	SQ2050453MZ	CONNECTING SCREW				1
42	23630007	TUBE	DDL-8000A-SSH ONLY			0.6

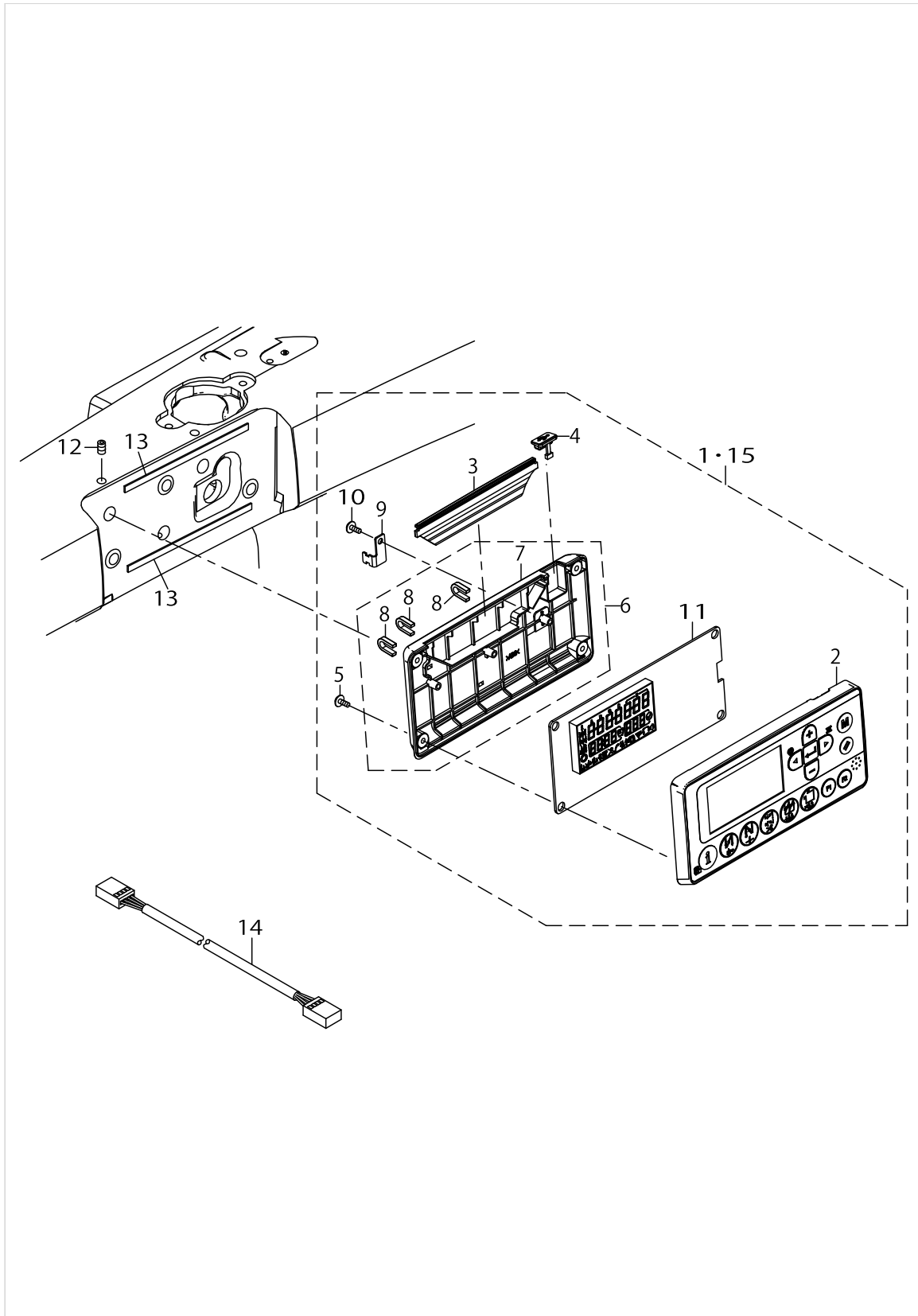
AUTOMATIC REVERSE FEED COMPONENTS



AUTOMATIC REVERSE FEED COMPONENTS

No.	Parts No.	Parts name	Remarks	Level	Cons	Qty
1	40211518	REVERSE FEED SOLENOID ASM.				1
2	HK03464000B	PIN CONTACT		*		2
3	40086753	REVERSE FEED SOLENOID PLUNGER		*		1
4	RE1200000K0	E-RING 12		*		1
5	D2468555B00	RUBBER PLUNGER		*		1
6	WP1602616SZ	WASHER 16X24X2.6		*		1
7	WP0550800SP	WASHER 5.5X10X0.8				3
8	SM4051055SP	SCREW				3
9	WP0551016SH	WASHER 5.5X13X1				1
10	NM6050001SP	NUT M5				2
11	WS0610002KN	SPRING WASHER 6.1X12.2X1.5				1
12	40095844	REVERSE FEED ARM ASM.				1
13	40086698	REVERSE_FEED_ARM		*		1
14	SM6051602TP	SCREW M5X0.8 L=16		*		1
15	40214010	LED TB SWITCH				1
16	SM4050855SP	SCREW				1
17	40086655	REVERSE_FEED_CONNECTION_LINK				1
18	40086699	REVERSE_FEED_LINK_PIN				1
19	SM8480652TP	SCREW				1
20	40086759	BACK_SOLENOID_PLUNGER_PIN				1

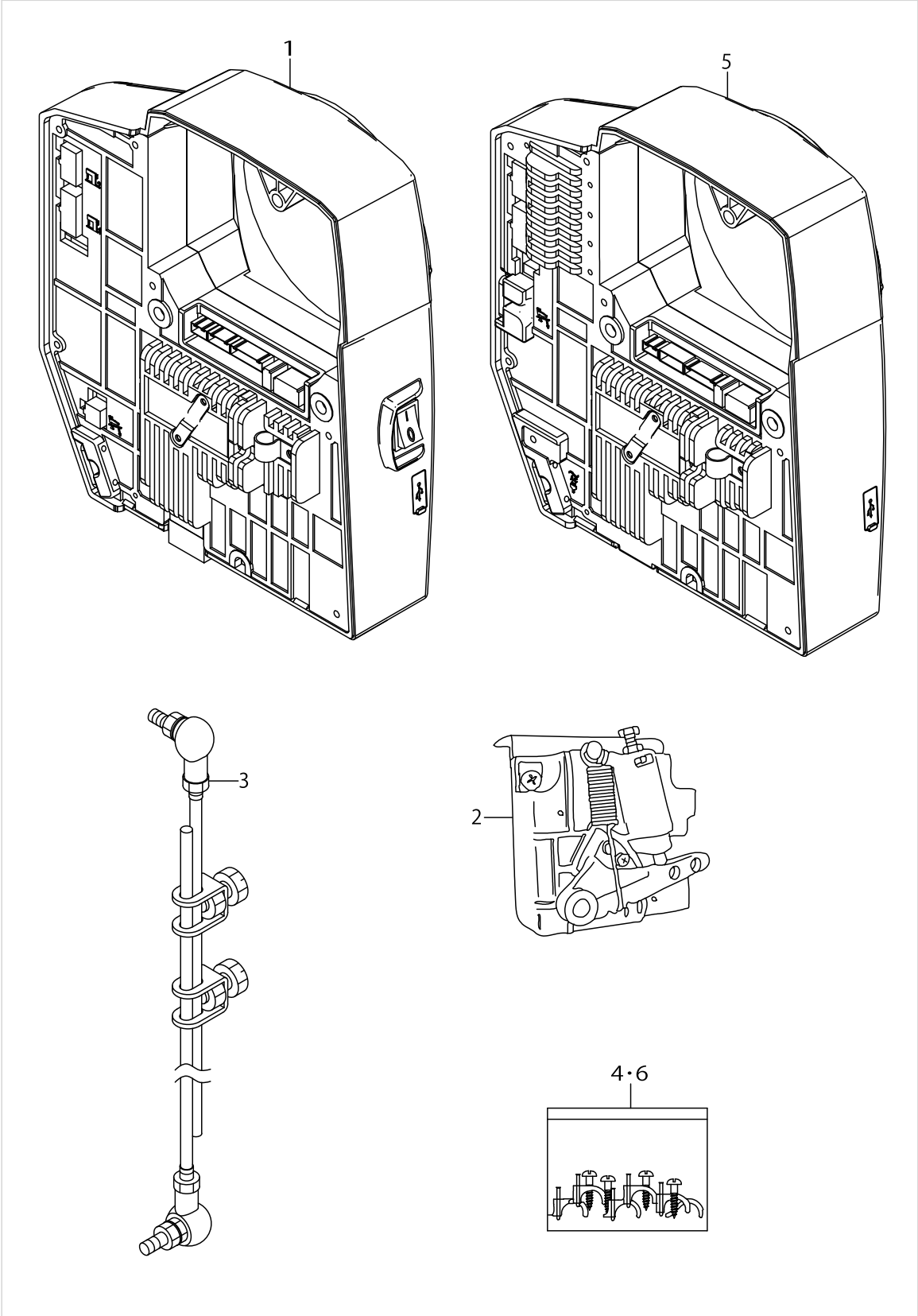
OPERATION PANEL COMPONENTS



OPERATION PANEL COMPONENTS

No.	Parts No.	Parts name	Remarks	Level	Cons	Qty
1	40211456	PANEL 8A ASSY	OTHER THAN DDL-8000A-BB			1
2	40214743	PANEL COVER 8A F ASSY		*		1
3	40172422	INDICATOR		*		1
4	40172423	USB_COVER		*		1
5	SV4030802SN	TAPPING SCREW WITH FLANGE M3X8		*		4
6	40173459	PANEL COVER R ASM		*		1
7	40172386	PANEL_COVER_R		*		1
8	40172420	FIX_PLATE		*		3
9	40174580	PNL_CABLE_CLAMP_PLATE		*		1
10	SV4030802SN	TAPPING SCREW WITH FLANGE M3X8		*		1
11	40214742	PNL 8A PCB ASSY		*		1
12	SM8050852TP	SCREW M5 L=8				3
13	40174408	PANEL_CSHION_RUBBER				2
14	40215704	MAIN-PNL CORD 8A ASSY				1
15	40224345	PANEL 8A CE ASSY	DDL-8000A-BB ONLY			1

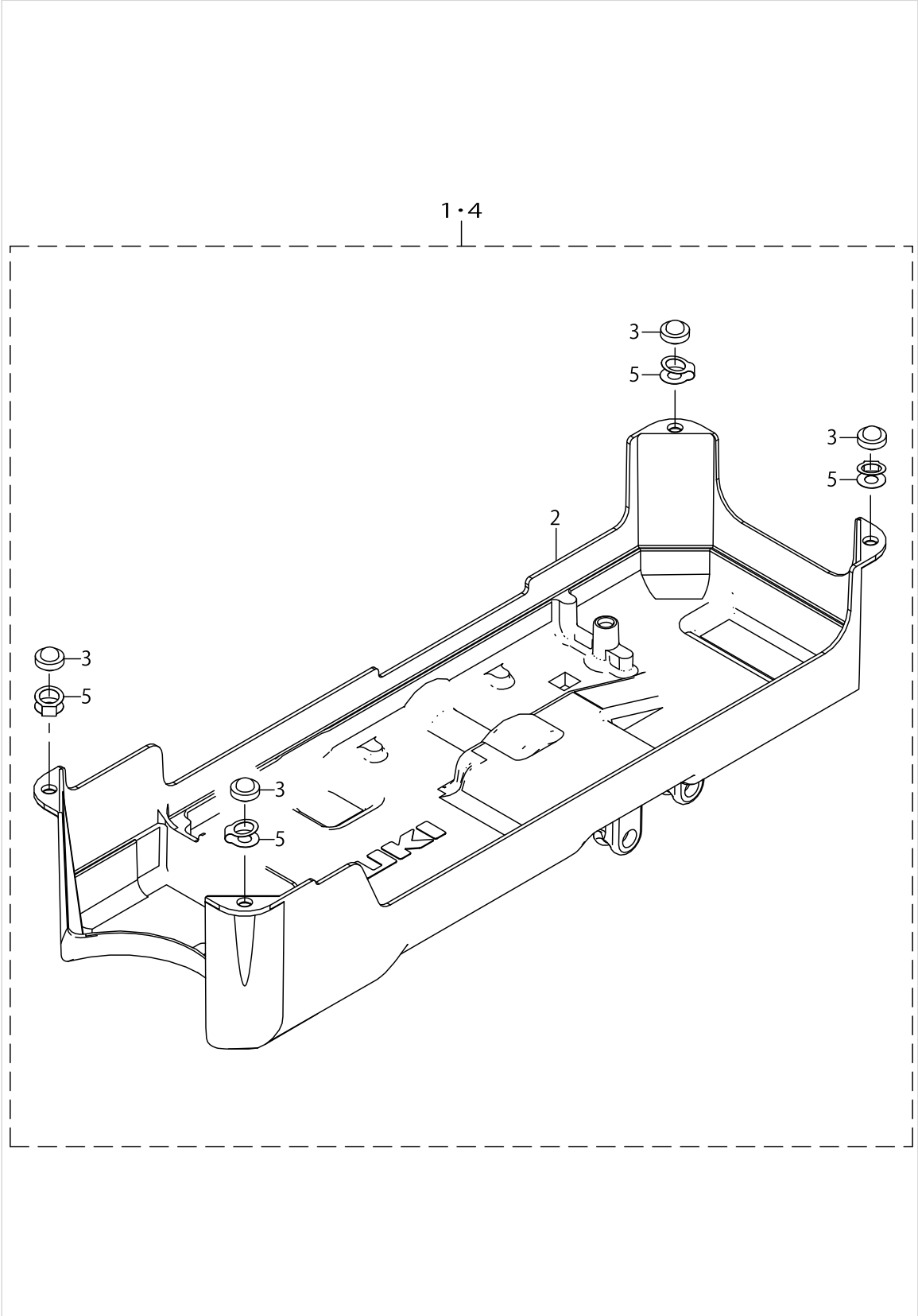
PSC UNIT



PSC UNIT

No.	Parts No.	Parts name	Remarks	Level	Cons	Qty
1	40211954	CONTROL BOX	OTHER THAN DDL-8000A-BB			1
2	40215706	PEDAL SENSOR BASE ASSY				1
3	40131478	CONNECTING_ROD_ASSY				1
4	40215705	ACCESSORIES PARTS ASSY	OTHER THAN DDL-8000A-BB			1
5	40212265	CONTROL_BOX_1P_220_240V_CE	DDL-8000A-BB ONLY			1
6	40221831	ACCESSORIES PARTS ASSY CE	DDL-8000A-BB ONLY			1

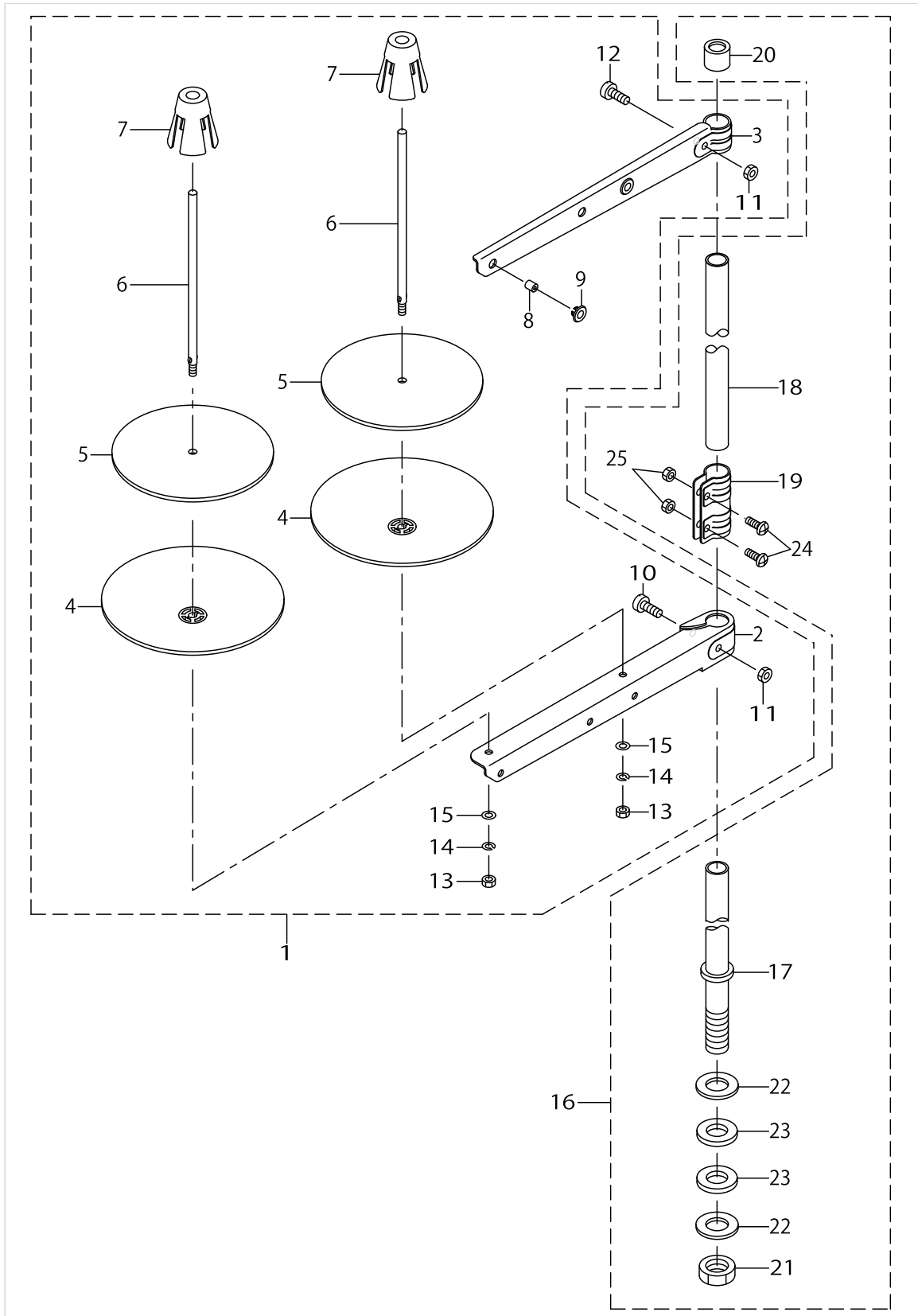
UNDER COVER COMPONENTS



UNDER COVER COMPONENTS

No.	Parts No.	Parts name	Remarks	Level	Cons	Qty
1	40062323	UNDER COVER B ASM.	OTHER THAN DDL-8000A-BB			1
2	23639008	UNDER COVER		*		1
3	B1116210D00	FRAME SUPPORT RUBBER		*		4
4	40223144	UNDER COVER C ASM.	DDL-8000A-BB ONLY			1
5	40218924	CE_BLOCK	DDL-8000A-BB ONLY	*		4

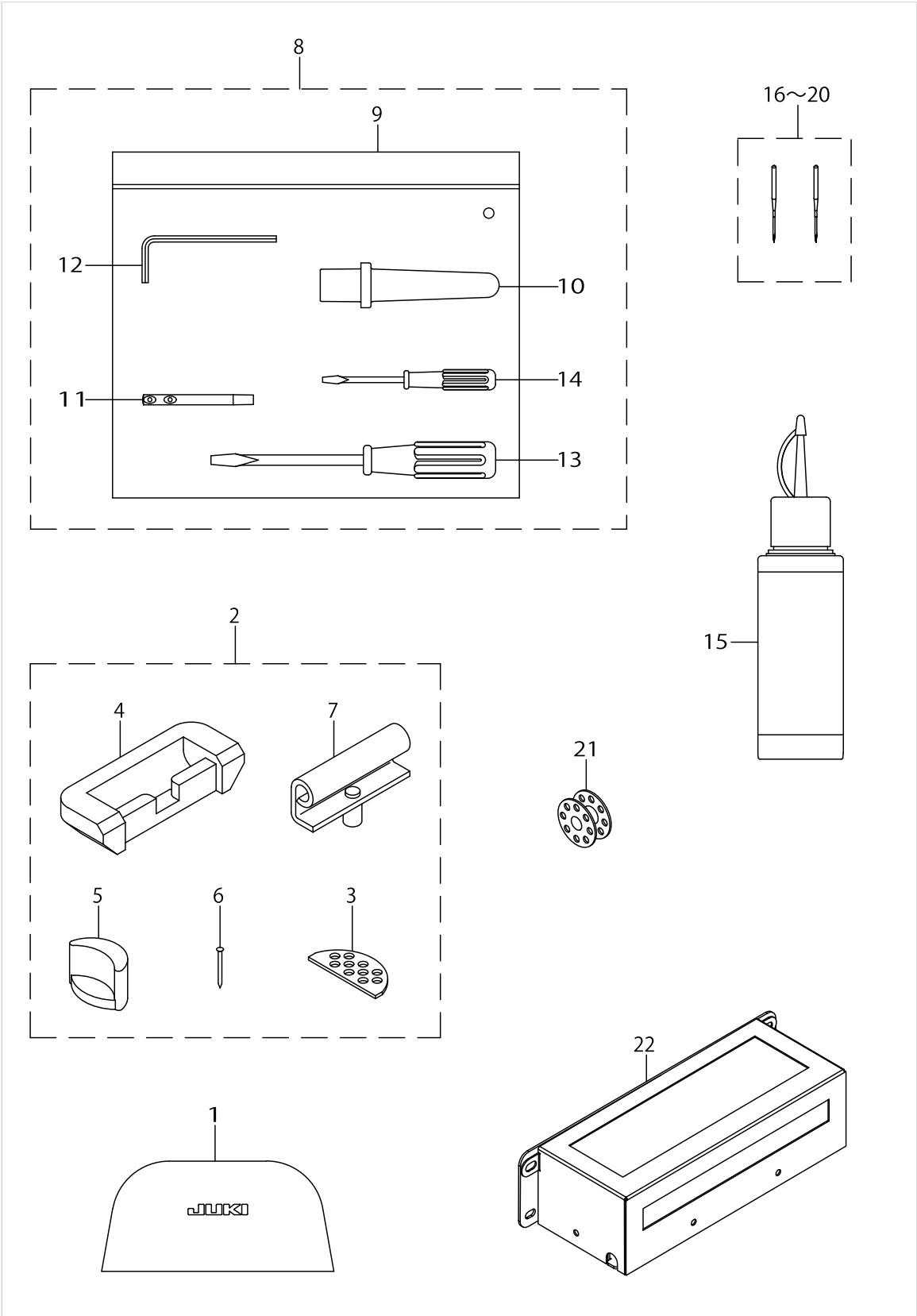
THREAD STAND COMPONENTS



THREAD STAND COMPONENTS

No.	Parts No.	Parts name	Remarks	Level	Cons	Qty
1	40108402	THRED_STAND_B				1
2	40085786	SPOOL REST ARM (LOWER)		*		1
3	40085787	SPOOL REST ARM (UPPER)		*		1
4	40085788	SPOOL REST		*		2
5	40085789	SPOOL REST CUSHION		*		2
6	40085790	SPOOL PIN		*		2
7	40085791	SPOOL RETAINER		*		2
8	40085794	THREAD GUIDE		*		2
9	40085795	THREAD GUIDE BUSHING		*		2
10	40096326	SPOOL REST ARM LOWER SCREW		*		1
11	NM6050001SE	NUT M5		*		2
12	40096327	SPOOL REST ARM UPPER SCREW		*		1
13	NM6050001SE	NUT M5		*		2
14	WS0510002KN	SPRING WASHER M5		*		2
15	WP0531001SC	WASHER M5		*		2
16	40108401	THREAD_STAND_A				1
17	40085784	SPOOL REST ROD LOWER		*		1
18	40085785	SPOOL REST ROD UPPER		*		1
19	40085792	SPOOL REST ROD JOINT		*		1
20	40085793	SPOOL REST ROD RUBBER CAP		*		1
21	40096325	SPOOL REST ROD NUT		*		1
22	WP1612616SE	WASHER 16X30X2.6		*		2
23	40085796	SPOOL REST ROD RUBBER CUSHION		*		2
24	SM4051405SE	SCREW M5 L=14		*		2
25	NM6050001SE	NUT M5		*		2

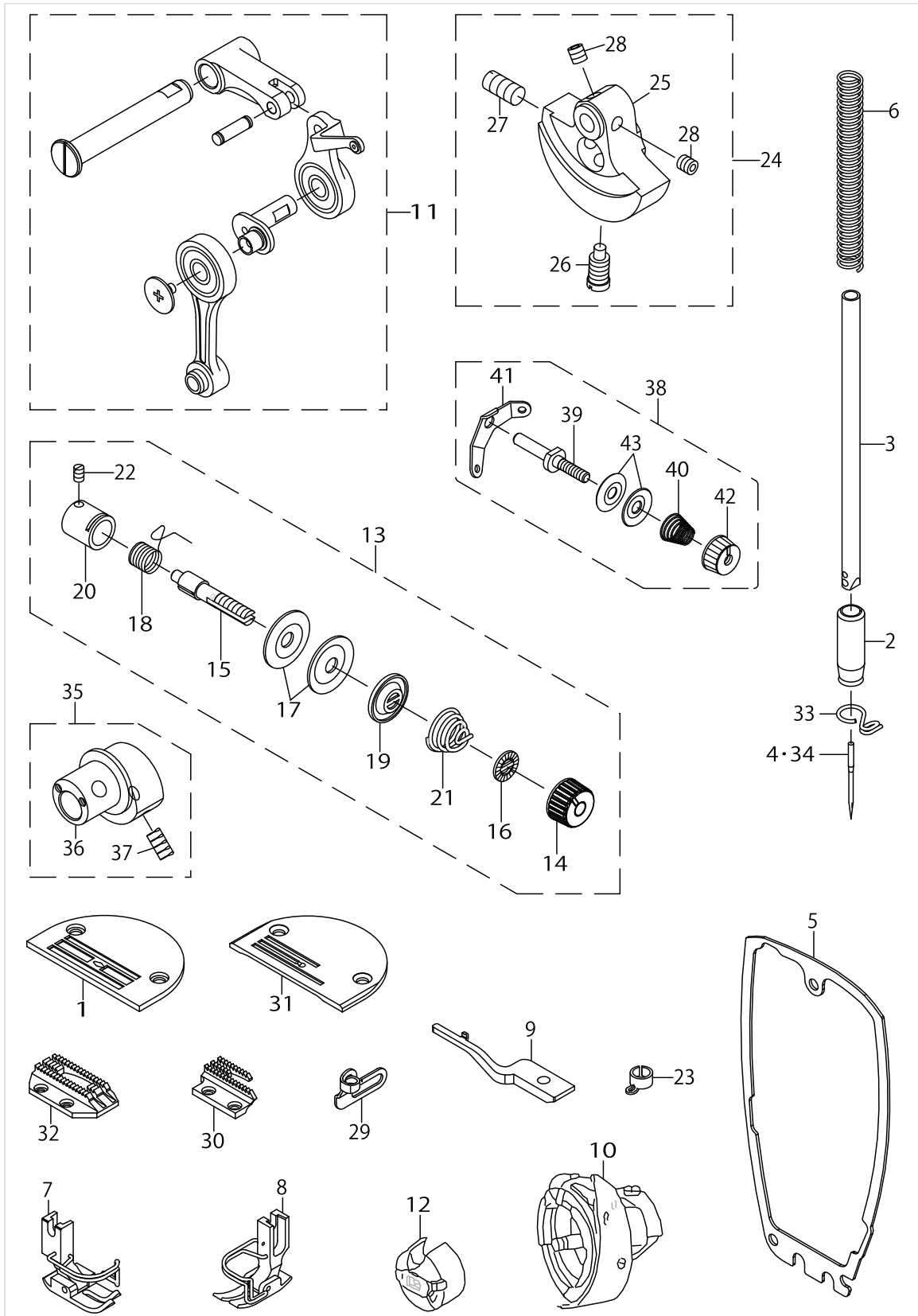
ACCESSORIE PART COMPONENTS



ACCESSORIE PART COMPONENTS

No.	Parts No.	Parts name	Remarks	Level	Cons	Qty
1	40135803	HEAD COVER				1
2	22958052	RUBBER HINGE ASM.				1
3	22926505	WASHER		*		2
4	22926000	RUBBER CUSHION		*		2
5	22958003	FRAME BUBBER CUSHION		*		2
6	22926208	NAIL		*		8
7	22926356	HINGE COMPL.		*		2
8	40212472	ACCESSORIE BAG ASM.				1
9	22932800	ACCESSORIE BAG		*		1
10	22931604	FRAME SUPPORT BAR		*		1
11	22958300	NEEDLE THREAD GUIDE PIN		*		1
12	40055591	HEXAGONAL WRENCH KYE		*		1
13	22933105	SCREW DRIVER (MIDDLE)		*		1
14	22933204	SCREW DRIVER (SMALL)		*		1
15	40214221	NEW DEFRIX OIL 1 100CC COMP.			☆	1
16	MDB100B1102	NEEDLE DBX1#11-2	FOR AA		☆	1
17	MDB100B2102	NEEDLE DBX1#21-2	FOR DDL-8000A-SSH-AA		☆	1
18	MC200500752	134 #75-2	FOR BB			1
19	MC200501302	NEEDLE 134 #130-2	FOR DDL-8000A-SSH-BB		☆	1
20	MDB100B1402	NEEDLE DBX1#14-2	FOR GG			1
21	22932909	BOBBIN			☆	1
22	40179371	REACTOR BOX ASSY 1P	FOR BB			1

EXCLUSIVE PARTS DDL-8000A-SSH



EXCLUSIVE PARTS DDL-8000A-SSH

No.	Parts No.	Parts name	Remarks	Level	Cons	Qty
1	40089605	THROAT_PLATE_J	FOR AA/BB			1
2	40107708	NEEDLE_BAR_METAL_LOWER_H				1
3	40061767	NEEDLE BAR H				1
4	MDB100B2100	NEEDLE DBX1 #21	FOR AA/GG		☆	1
5	40172373	FACE_COVER_PACKING				1
6	B1505552000A	PRESSER SPRING				1
7	D1524555EBL	PRESSER FOOT ASM.	FOR AA/BB			1
8	40064839	PRESSER FOOT ASM.	FOR GG			1
9	40089610	INNER_HOOK HOLDER_H				1
10	11092251	HOOK ASM.			☆	1
11	40191118	THREAD_TAKE_UP_COMP_H				1
12	40000264	BOBBIN CASE ASM.			☆	1
13	22962054	THREAD TENSION ASM.				1
14	22921308	THREAD TENSION NUT		*		1
15	22921209	THREAD TENSION POST		*		1
16	22921407	ROTATION STOPPER		*		1
17	22921506	THREAD TENSION DISK		*		2
18	22921605	THREAD TAKE-UP SPRING		*	☆	1
19	22921803	DISK STOPPER		*		1
20	22945307	THREAD TENSION POST BASE		*		1
21	22962005	THREAD TENSION SPRING		*		1
22	SS8090670SP	SCREW 9/64-40 L=5.5		*		1
23	40024124	NEEDLE BAR THREAD GUIDE				1
24	40191126	ASSY_COUNTER WEIGHT_H				1
25	40191127	COUNTER_WEIGHT_H		*		1
26	40004171	COUNTER_WEIGHT_SCREW		*		1
27	SM8081652TP	SCREW M8 L=16		*		1
28	SM80606A2TP	SCREW M6 L=6		*		2
29	40063697	ARM THREAD GUIDE A H				1
30	11062601	FEED DOG	FOR GG			1
31	11062007	THROAT PLATE A	FOR GG			1
32	11403003	FEED J	FOR AA/BB			1
33	40023223	NEEDLE BAR THREAD GUIDE				1
34	MC200501300	NEEDLE 134 NM130	FOR BB			1
35	23619059	VERTICAL FEED CAM H ASM.				1
36	23619000	VERTICAL FEED CAM H		*		1
37	SS8151150TP	SCREW 15/64-28 L=10.5		*		2
38	22963458	THREAD TENSION ASM.				1
39	22945414	THREAD TENSION POST		*		1
40	22963409	THREAD TENSION SPRING		*		1
41	22945604	THREAD TENSION GUIDE		*		1
42	22945703	THREAD TENSION NUT		*		1
43	22945802	THREAD TENSION DISK		*		2

HOW TO MAKE USE OF THIS PARTS LIST

1.Explanation of codes

1)"*"mark.....means this part is changed from the previous parts book.

As to the details of the change, refer to the "List for information of change".

2)"#01".....refer to "Note" explanation at bottom of page.

2.Codes on the "Qty" column

- Each numeral indicates the number of parts required.
- "0.1" and "2.5" indicate the length (in meters) of the respective parts.

3.Parentheses mean that the corresponding part is a subpart that constructs an assembly part.

4.Dotted lines on the Figures indicate assembly parts.

5.As to the parts with marks of "☆"(consumable parts) and "◎"(optional parts)on the respective parts, it is recommended to prepare spares.

Sign	Place of destination
GG	China
BB	Europe
EE	Japan
AA	excludes China,Europe and Japan

1."注記"欄の記号説明

1) "*"印.....前回のパーツブックに比較して今回変更された部品を意味します。

変更内容は、"変更情報リスト"を参照してください。

2) "#01".....ページ下の"注記"の説明を参照してください。

2.数量欄の数字は、個数を表し、0.1、2.5等の数値は、長さ（単位メートル）を表します。

3.数量欄の（ ）は、組部品を構成している子部品であることを意味します。

4.イラストページの-----枠は、組構成であることを意味します。

5.リストページの"☆"（消耗部品）、"◎"（オプション部品）の印がついた部品は、予備を準備しておくことをお奨めします。

記号	仕向地
GG	中国
BB	ヨーロッパ
EE	日本
AA	中国、ヨーロッパ、日本を除く

NUMERICAL INDEX OF PARTS

PART NO	PAGE	REF NO.	PART NO	PAGE	REF NO.	PART NO	PAGE	REF NO.
10618304	24	49	22921209	2	42	22958300	38	11
11015906	20	61	22921209	40	15	22962005	40	21
11038650	20	68·69	22921308	2	43	22962054	40	13
11038759	18	27	22921308	6	27	22963409	40	40
11062007	40	31	22921308	40	14	22963458	40	38
11062601	40	30	22921407	2	44	23540305	26	24
11079506	20	84	22921407	6	28	23608003	8	1
11092251	40	10	22921407	40	16	23609001	12	15
11141355	20	68·69	22921506	2	45	23613409	16	39
11403003	40	32	22921506	6	29	23618101	18	47
11419504	22	33~38	22921506	40	17	23618309	20	52
11419603	22	33~38	22921605	2	46	23619000	40	36
11419702	22	33~38	22921605	40	18	23619059	40	35
11419801	22	33~38	22921704	2	47	23626104	2	27
11419900	22	33~38	22921704	6	30	23626807	12	3
11420601	22	6	22921803	4	48	23628803	26	14
22886907	8	7·8	22921803	40	19	23628902	26	15
22887004	8	7·8	22925101	26	10	23629207	26	7
22891204	6	2	22926000	38	4	23629256	26	6
22901201	2	21	22926208	38	6	23629306	26	28
22901250	2	20	22926356	38	7	23629405	26	27
22901300	2	22	22926505	38	3	23630007	16	23
22901409	8	2	22931604	38	10	23630007	26	42
22901805	4	59	22932800	38	9	23630106	26	25
22902506	2	4	22932909	20	72	23630403	26	38
22904106	18	23	22932909	38	21	23630502	26	39
22904155	18	22	22933105	38	13	23639008	34	2
22906309	8	47	22933204	38	14	40000264	40	12
22906408	8	4	22944508	12	11	40000344	26	21
22906457	8	3	22945307	2	41	40000391	18	37
22907406	12	14	22945307	40	20	40000392	18	38
22907703	12	21	22945356	2	40	40004171	8	17
22907802	12	32	22945414	2	29	40004171	40	26
22908008	12	26	22945414	40	39	40004254	14	13
22908552	12	34	22945463	2	28	40006716	16	43
22910509	16	11	22945505	2	30	40009037	4	51
22911002	18	13	22945604	2	31	40010805	20	78
22911101	18	6	22945604	40	41	40015671	24	66·67
22912109	16	30	22945703	2	32	40017805	12	16
22912307	16	20	22945703	40	42	40023223	40	33
22912307	22	32	22945802	2	33	40024124	40	23
22913008	20	77	22945802	40	43	40026277	18	5
22916506	20	60	22952501	16	27	40026281	18	16
22920300	12	5	22958003	38	5	40026282	18	36
22920409	12	6	22958052	38	2	40026287	18	41

NUMERICAL INDEX OF PARTS

PART NO	PAGE	REF NO.	PART NO	PAGE	REF NO.	PART NO	PAGE	REF NO.
40026288	18	43	40086655	28	17	40136292	8	10
40029075	26	22	40086674	16	17	40136293	8	11
40030786	20	71	40086675	16	18	40136701	22	14
40032269	8	38	40086690	18	45	40141440	8	44
40037005	18	15	40086695	16	2	40141840	16	32
40037008	6	32	40086696	16	3	40141842	16	29
40037141	12	23	40086698	28	13	40145927	20	58
40037144	12	24	40086699	28	18	40150011	8	13
40037359	12	22	40086704	16	8	40161440	16	31
40037365	18	4	40086705	16	9	40161441	16	36
40038328	26	16	40086706	16	12	40166870	6	3
40040256	14	12	40086711	22	46	40166872	6	4
40042079	18	10	40086712	24	55	40166881	6	5
40050582	12	2	40086731	8	46	40166885	6	6
40050583	12	36	40086737	16	22	40166886	6	7
40052933	2	37	40086739	16	21	40166887	6	8
40053720	18	40	40086748	24	65	40166888	6	9
40055591	38	12	40086753	28	3	40166893	6	10
40058504	18	9	40086759	28	20	40166894	6	11
40061246	18	8	40088958	6	25	40172373	40	5
40061767	40	3	40088959	6	26	40172376	2	8
40062323	34	1-4	40089605	40	1	40172386	30	7
40063697	40	29	40089607	20	75	40172393	8	22
40064839	40	8	40089610	40	9	40172398	8	21
40075404	26	11	40090058	8	6	40172401	14	3
40085784	36	17	40090099	24	61	40172402	14	4
40085785	36	18	40091461	4	57	40172403	12	42
40085786	36	2	40095844	28	12	40172420	30	8
40085787	36	3	40095847	16	40	40172422	30	3
40085788	36	4	40096325	36	21	40172423	30	4
40085789	36	5	40096326	36	10	40172460	16	14
40085790	36	6	40096327	36	12	40172467	16	5
40085791	36	7	40099083	2	11	40172479	22	28
40085792	36	19	40107708	40	2	40172482	22	21
40085793	36	20	40108401	36	16	40172495	24	50
40085794	36	8	40108402	36	1	40172496	24	56
40085795	36	9	40122891	16	42	40172498	22	9
40085796	36	23	40131478	32	3	40172504	24	57
40086597	8	20	40133950	18	25	40172508	16	7
40086605	8	9	40135803	38	1	40173459	30	6
40086606	12	17	40135904	8	15	40174296	18	1
40086607	12	18	40135905	8	31	40174297	18	2
40086616	16	38	40135907	8	35	40174298	18	20
40086623	24	69	40135916	8	16	40174300	18	31
40086635	24	51	40136258	4	56	40174302	18	32

NUMERICAL INDEX OF PARTS

PART NO	PAGE	REF NO.	PART NO	PAGE	REF NO.	PART NO	PAGE	REF NO.
40174314	22	27	40191113	6	15	40213952	22	20
40174315	22	17	40191114	6	16	40214010	28	15
40174318	22	4	40191115	6	17	40214221	38	15
40174322	4	58	40191116	6	18	40214565	22	11
40174323	22	13	40191118	40	11	40214742	30	11
40174324	22	15	40191126	40	24	40214743	30	2
40174328	20	56	40191127	40	25	40214745	24	77
40174331	20	57	40191133	18	34	40214746	2	13
40174333	20	74	40195289	22	2	40215263	10	50
40174334	20	54	40195552	22	3	40215311	26	18
40174335	20	62~66	40209293	26	34	40215688	22	31
40174336	20	62~66	40211061	2	1	40215691	22	24
40174337	20	62~66	40211076	2	15	40215704	30	14
40174338	20	62~66	40211078	2	3	40215705	32	4·6
40174341	8	30	40211082	8	27	40215706	32	2
40174342	8	32	40211085	18	33	40215866	8	25
40174343	8	33	40211086	18	44	40218924	34	5
40174344	8	34	40211087	22	1	40221269	26	30
40174349	10	49	40211442	14	6	40221270	26	32
40174356	26	40	40211449	16	26	40221271	26	31
40174358	26	3	40211454	24	74	40221273	26	35
40174365	26	12	40211456	30	1·15	40221831	32	4·6
40174369	20	62~66	40211459	16	34	40223144	34	1·4
40174373	2	34	40211502	16	25	40224345	30	1·15
40174375	14	10	40211510	22	39	B1109552000	4	54
40174388	12	38	40211511	22	40	B1116210D00	22	8
40174388	14	2	40211512	14	1	B1116210D00	34	3
40174392	2	35	40211518	28	1	B1116804000	24	60
40174408	30	13	40211523	16	15	B1505552000A	40	6
40174573	12	41	40211525	12	1	B1521555000	12	33
40174577	20	81	40211526	12	28	B15240120BA	12	9
40174580	30	9	40211527	12	27	B3118552F00	12	7
40174583	22	41	40211528	12	25	B412352200A	18	28~30
40174584	22	44	40211713	22	5	B412352200B	18	28~30
40174600	22	26	40211777	14	19	B412352200C	18	28~30
40174610	24	66·67	40211778	22	7	CM300200001	2	19
40174612	22	33~38	40211898	24	75	CQ200000001	26	29
40178658	26	37	40211953	16	37	CQ250000001	26	8
40179371	38	22	40211954	32	1	CS0800881TP	22	22
40181990	24	63	40212095	14	8	CS1000881TP	8	39
40182053	24	62	40212098	14	15	D1524555EBL	40	7
40191107	6	1	40212265	32	5	D2468555B00	28	5
40191108	6	12	40212472	38	8	EA9500B0100	8	29
40191109	6	13	40213205	18	14	EA9500B0100	26	19
40191111	6	14	40213295	2	18	GPK26023000	12	8

NUMERICAL INDEX OF PARTS

PART NO	PAGE	REF NO.	PART NO	PAGE	REF NO.	PART NO	PAGE	REF NO.
HD002230000	14	17	SB120002700	8	24	SM6060802TP	14	9
HK034610040	24	73	SB32000060A	20	48~50	SM6061002TP	2	16
HK03464000B	28	2	SB32000060B	20	48~50	SM6061002TP	24	72
HX001500000	12	30	SB32000060C	20	48~50	SM8040412TP	6	21
HX00150000K	26	20	SD0500403TP	22	25	SM8040612TP	2	36
MC200500750	8	42·43	SD0500701TP	24	53	SM8050402TP	26	2
MC200500752	38	16~20	SL4041281SC	4	52	SM8050502TP	6	22
MC200501300	40	4·34	SL4041291SC	14	18	SM80506A2TP	8	40
MC200501302	38	16~20	SL4041491SC	2	7	SM80506A2TP	16	4
MDB100B1100	8	42·43	SL4051091SC	26	4	SM80506A2TP	22	30
MDB100B1102	38	16~20	SL4051691SC	4	55	SM8050852TP	14	11
MDB100B1402	38	16~20	SL4052591SC	2	10	SM8050852TP	30	12
MDB100B2100	40	4·34	SL6052592TN	8	28	SM80606A2TP	8	19
MDB100B2102	38	16~20	SM0050801SC	6	33	SM80606A2TP	16	41
NM6040001SC	2	53	SM4040601SC	12	31	SM80606A2TP	24	64
NM6040001SC	4	53	SM4040655SP	12	12	SM80606A2TP	40	28
NM6040001SE	22	42	SM4040655SP	14	20	SM8060812TP	24	52
NM6040001SP	14	14	SM4040655SP	18	42	SM80608A2TP	2	39
NM6040001SP	24	68	SM4041055SP	12	13	SM80608A2TP	8	37
NM6050001SC	22	16	SM4050655SP	22	10	SM80608A2TP	14	5
NM6050001SE	36	25	SM4050855SP	4	60	SM80608A2TP	16	1
NM6050001SP	28	10	SM4050855SP	8	41	SM80608A2TP	20	67
NM6060001SC	24	58	SM4050855SP	18	19	SM80608A2TP	22	12
NS6110310SP	24	54	SM4050855SP	24	78	SM8061010TP	24	71
NS6620310SP	12	10	SM4050855SP	28	16	SM8061050TP	24	70
RC0150001KP	20	59	SM4051055SP	2	9	SM8081652TP	8	18
RC1200001KP	20	83	SM4051055SP	6	31	SM8081652TP	40	27
RC2651218KP	22	19	SM4051055SP	20	76	SM8480652TP	22	29
RE0300000K0	8	36	SM4051055SP	26	5	SM8480652TP	28	19
RE0500000K0	6	19	SM4051055SP	28	8	SQ2050453MZ	26	41
RE0500000K0	12	37	SM4051405SE	36	24	SS2110920TP	2	17
RE0500000K0	16	24	SM5040655SN	2	26	SS4080620TP	18	26
RE0500000K0	24	48	SM5040655SN	6	20	SS6060210SP	2	23
RE1200000K0	28	4	SM5040655SN	26	9	SS6090620TP	18	12
RO036080200	20	73	SM6040802TP	14	7	SS6090670TP	8	5
RO037180100	12	35	SM6042000SP	8	45	SS6090670TP	18	53
RO037180100	26	13	SM6042000SP	20	82	SS6090670TP	20	53
RO044240100	12	43	SM6051400SP	12	19	SS6110710TP	18	35
RO048190100	26	23	SM6051400SP	18	17	SS6110710TP	22	47
RO068190100	26	17	SM6051402TP	12	39	SS6121610SP	18	11
RO092270200	16	33	SM6051402TP	22	18	SS6121860SP	16	35
RO118180100	26	36	SM6051602TP	16	19	SS7080510TP	10	48
SB108000100	20	79	SM6051602TP	28	14	SS7091110TP	12	20
SB117001200	20	51	SM6051850TP	16	28	SS7110720SP	2	12
SB120001800	20	80	SM6060802TP	2	14	SS8090670SP	4	49

NUMERICAL INDEX OF PARTS

PART NO	PAGE	REF NO.
SS8090670SP	40	22
SS8150822TP	18	3
SS8151150TP	18	39
SS8151150TP	40	37
SS8660610TP	18	24
SS8661012TP	18	46
ST4030651SN	6	23
SV4030802SN	30	10
TA1250406R0	2	50
TA1250406R0	4	50
WP0501016SD	12	40
WP0531000SD	18	18
WP0531001SC	36	15
WP0550800SP	28	7
WP0551016SH	28	9
WP0560860SE	26	33
WP0621016SD	22	45
WP0621016SH	24	59
WP1602616SZ	28	6
WP1612616SE	36	22
WS0410002KR	22	43
WS0510002KN	36	14
WS0610002KN	28	11
WT0530002KS	4	61