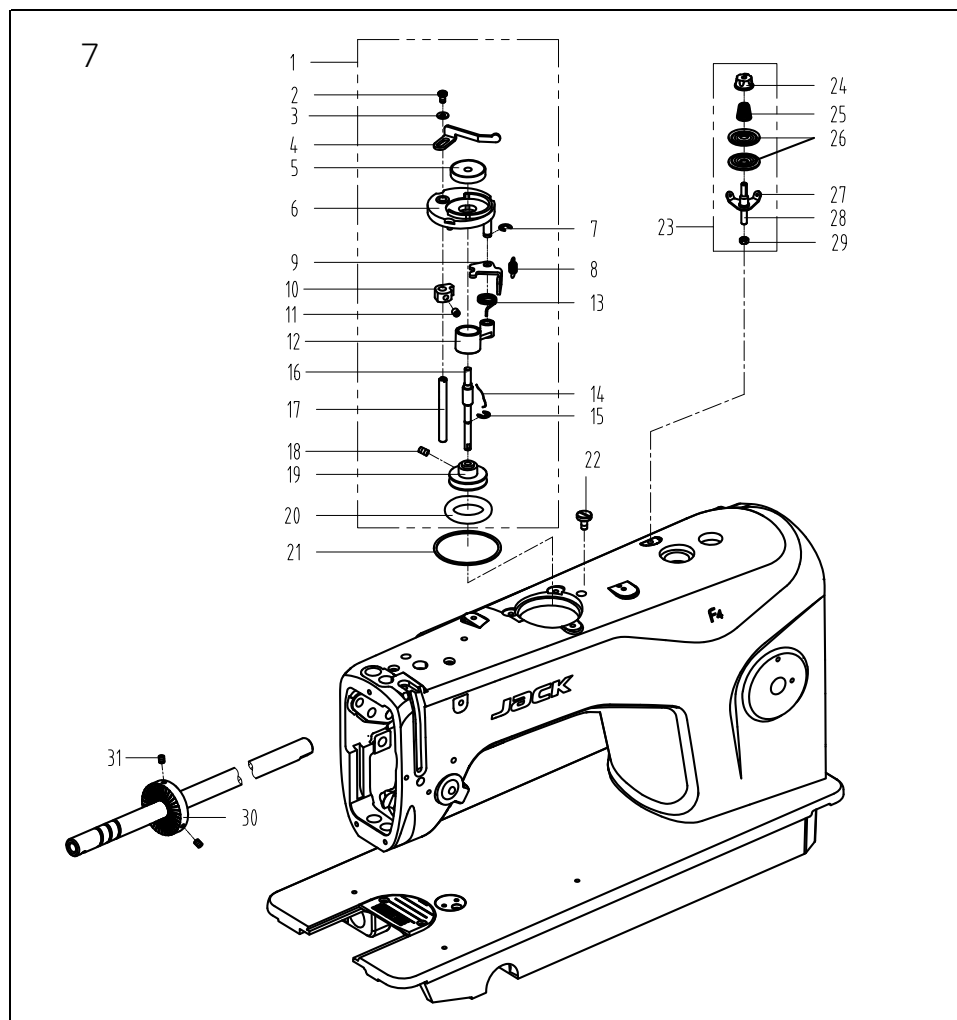


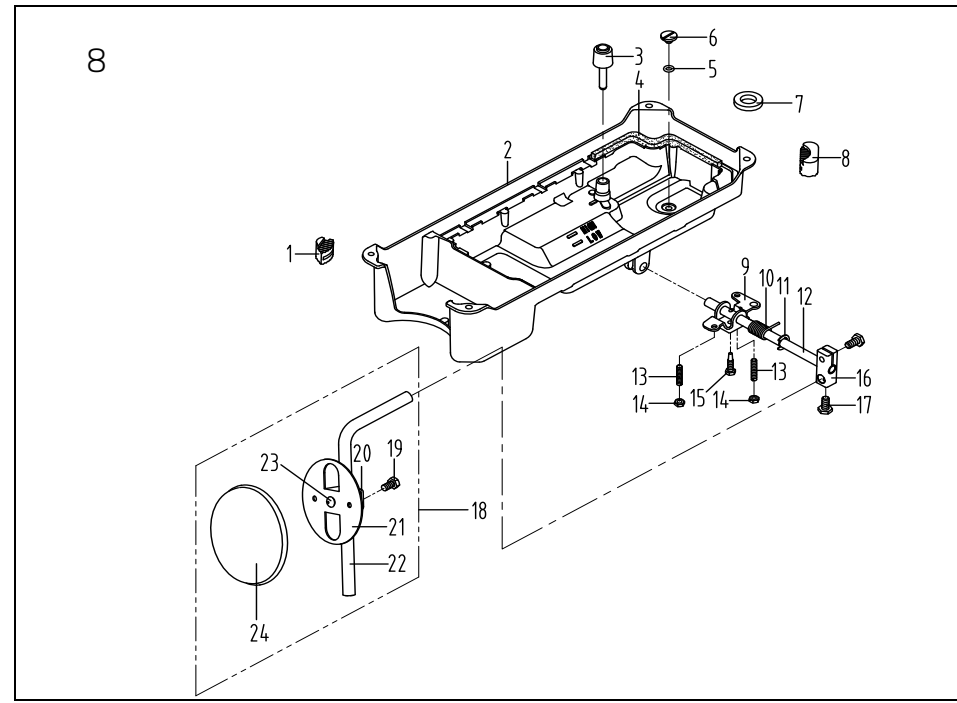
6. 润滑组件/Oil Lubrication Components

序号NO.	公司件号	Part NO.	名称	PartName	零件描述	Description	数量	Number
1	1121004		油窗		Oil sight window		1	1
2	10122019		油圈O形圈		Rubber ring		1	1
3	11421008		上轴供油管		Main shaft oil tube		1	1
4	101530008		油泵连接螺栓		Oil pump connecting stud		1	1
5	11329010		开口挡圈10		Snap ring 10		1	1
6	10121001		下轴供油管		Hook driving shaft oil tube		1	1
7	10112020		油泵安装板		Oil pump installing base		1	1
8	W03002		弹垫		Spring washer		1	1
9	10151101		压脚螺钉SM11/64*×40 L=9.5		Screw SM11/64*×40 L=9.5		1	1
10	10103022		油泵体衬套		Oil pump bushing		1	1
11	101530007		柱塞螺钉		Plunger Screw		1	1
12	10127013		柱塞簧		Plunger spring		1	1
13	10122018		回油柱塞		Plunger		1	1
14	10120001		油泵体		Oil pump		1	1
15	504009		油泵螺钉		Screw		3	3
16	1011003		油泵叶轮		Oil pump impeller		1	1
17	1012021		油泵叶轮托板		Oil pump impeller cover		1	1
18	1011007		油泵盖		Lubricating oil pump cover		1	1
19	101530006		螺钉		Screw		3	3
20	101200100		润滑分部件		Lubricating oil pump component		1	1
21	10151026		螺钉SM15/64*×28 L=9		Screw SM15/64*×28 L=9		1	1
22	10196001		供油接头		Rubber joint		1	1
23	W02004		GB/T93-1987弹垫M6		Spring Washer M6		1	1
24	10121006		供油管		Hook oil tube		1	1
25	10112022		旋线供油管压板		Tube holder (lower)		1	1
26	10127014		油量调节螺钉弹簧		Spring		1	1
27	101530009		油量调节螺钉		Screw		1	1
28	10423005		油线		Oil wick		1	1
29	10127015		回油毡垫		Oil felt clamp		1	1
30	10123006		回油毡		Oil felt felt		1	1
31	10151004		挑线杆护套螺钉SM3/16*×28 L=7		Screw SM3/16*×28 L=7		1	1
32	10112023		回油管夹		Oil tube clamp		1	1
33	10121007		回油管部件		Oil return tube component		1	1
34	10151026		螺钉SM15/64*×28 L=9		Screw SM15/64*×28 L=9		1	1
35	10121025		油线固定板		Oil wick fixing plate		1	1
36	10151010		压脚板手螺钉SM9/64*×40 L=11		Screw SM9/64*×40 L=11		2	2
37	10123010		油线		Oil wick		1	1
38	10112053		油线夹		Wick clip		1	1



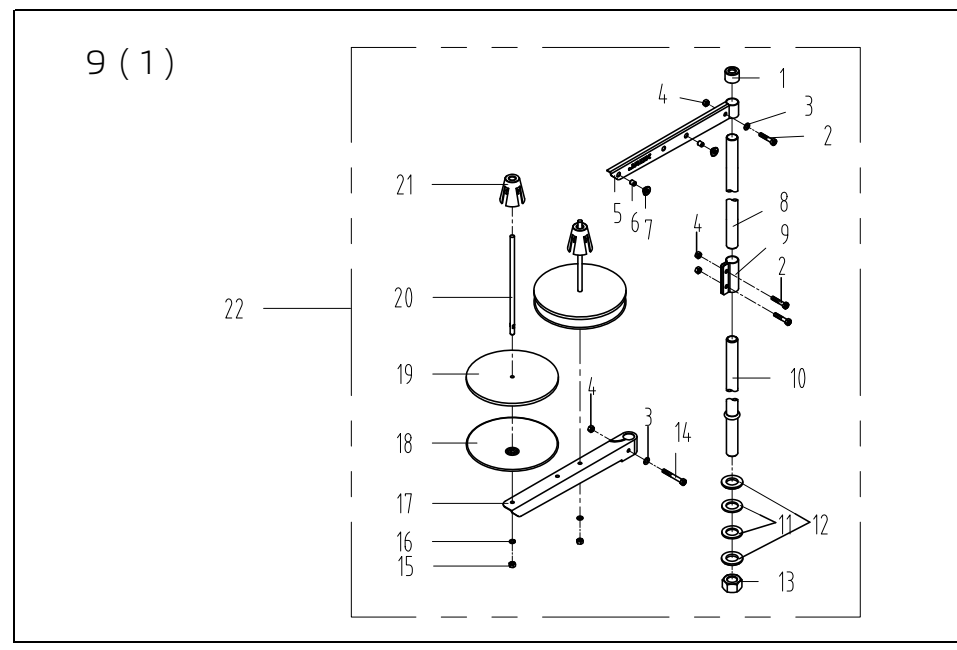
7. 绕线器组件/ Bobbin Components

序号NO.	公司件号	Part NO.	名称	PartName	零件描述	Description	数量	Number
1	1383103900		绕线器组件		Bobbin winder asm.		1	1
2	11451008		螺钉M4x6		Screw M4x6		1	1
3	GB/T9711		垫圈M5		Washer		1	1
4	10113030		压线控制板		Thread press control plate		1	1
5	10111020		绕线衬垫		Winding pad		1	1
6	13831101		绕线器装置主座		Bobbin winder bed		1	1
7	GB/T 896-1986		开口挡圈5		Snap ring		1	1
8	10127061		复位板拉簧		Spring		1	1
9	13812110		调节板		Regulating plate		1	1
10	10110030		绕线凸轮		Bobbin winder cam		1	1
11	S09042		螺钉		Screw		1	1
12	1380510600		绕线器连杆组件		Bobbin winder connecting rod		1	1
13	13827103		调线复位簧		Spring		1	1
14	10127060		弹簧		Spring		1	1
15	GB/T 896-1986		开口挡圈4		Snap ring		1	1
16	13802111		绕线器主轴		Bobbin winder main shaft		1	1
17	13802036		绕线凸轮轴		Bobbin winder cam shaft		1	1
18	S09103		绕线轮螺钉		Screw		2	2
19	13831102		绕线轮		Bobbin winder wheel		1	1
20	001110		O形圈		Ring		1	1
21	11422062		密封垫		Washer		1	1
22	114511003		螺钉SM3/16*×28 L=10		Screw SM3/16*×28 L=10		3	3
23	1381300600		绕线器张紧器		Bobbin thread tension asm.		1	1
24	13811004		张紧螺母		Thread tension nut		1	1
25	11427006		小夹线弹簧		Spring		1	1
26	10120005		张紧板		Thread tension disk		2	2
27	11413022		张紧过线板		Thread tension guide plate		1	1
28	112519004		张紧螺钉		Screw		1	1
29	114510001		螺母SM11/64*×40		Nut SM11/64*×40		1	1
30	11432019		绕线器驱动轮		Driving wheel		1	1
31	S10009		螺钉M6x8		Screw M6x8		2	2



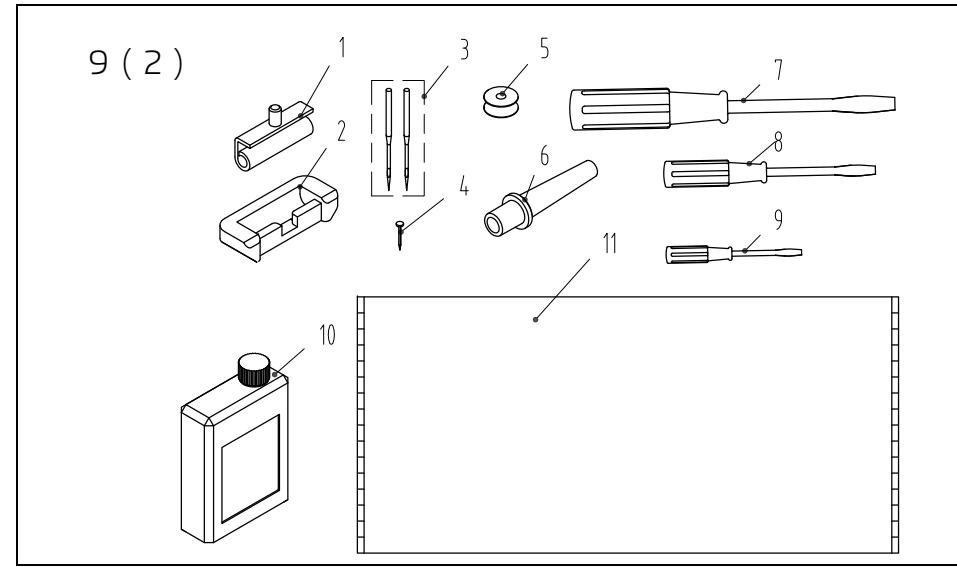
8. 油盘、膝抬压脚分组件/Oil Reservoir, Knee Lifter Components

序号NO.	公司件号	Part NO.	名称	PartName	零件描述	Description	数量	Number
1	10122022		油盘座垫		Oil reservoir rubber cushion		2	2
2	10101006		油盘		Oil Reservoir		1	1
3	10110005		抬压脚顶杆		Knee lifter push rod		1	1
4	10122020		油盘垫		Oil Reservoir gasket		1	1
5	10122021		O形圈		Rubber ring		1	1
6	101511028		排油孔螺钉SM5/16*×24 L=7		Screw SM5/16*×24 L=7		1	1
7	10131001		油盘磁铁		Oil reservoir magnet		1	1
8	10122023		油盘支架		Oil reservoir rubber cushion		2	2
9	1012027		抬压脚双向曲柄		Knee lifter crank		1	1
10	10127016		双向曲柄扭簧		Knee lifter spring		1	1
11	H05010		GB/T896-1986挡圈10		Snap ring 10		1	1
12	10102011		抬压脚轴		Knee lifter shaft		1	1
13	10151012		双向曲柄限位调整螺钉M6 L=30		Screw M6 L=30		2	2
14	101516004		双向曲柄限位调整螺母 M6 L=4		Nut M6 L=4		2	2
15	101512002		双向曲柄螺钉M6 L=26		Screw M6 L=26		1	1
16	10101008		抬压脚轴螺母		Bearing bracket		1	1
17	101512003		螺钉M8 L=16		Screw M8 L=16		1	1
18	101202800		张紧杆组件		Knee press plate asm.		1	1
19	101512004		螺钉M6 L=11		Screw M6 L=11		1	1
20	1012030		张紧杆节头		Knee press plate holder		1	1
21	1012029		张紧板		Knee press plate		1	1
22	1012028		张紧杆		Knee press plate rod		1	1
23	10122025		张紧杆垫		Rubber		1	1
24	10122024		张紧板软垫		Knee press plate cover		1	1



9. 机头附件(1)-线架组件/Machine Head Accessories(1)-Thread Stand Components

序号NO.	公司件号	Part NO.	名称	PartName	零件描述	Description	数量	Number
1	20131019		线架杆顶防护橡皮		Spool rest rod rubber cap		1	1
2	S04050		螺钉M5 L=16		Screw M5 L=16		3	3
3	W01047		垫圈M5		Washer M5		2	2
4	N01034		螺母M5		Nut M5		4	4
5	13831022		上线架过线杆		Spool rest arm upper		1	1
6	10113011		过线圈(内)		Thread guide ring		2	2
7	10113010		过线圈(外)		Thread guide ring		2	2
8	13831019		线架杆上节		Spool rest rod upper		1	1
9	13831021		线架杆接头		Spool rest rod joint		1	1
10	13831020		线架杆下节		Spool rest rod lower		1	1
11	10122106		橡胶垫圈		Spool rest rod rubber ring		2	2
12	W01048		垫圈M16		Washer M16		2	2
13	N02004		螺母 M16		Spool rest rod nut M16		1	1
14	S04051		螺钉 M5		Spool rest arm lower screw M5		1	1
15	N01034		螺母 M5		Nut M5		2	2
16	W02027		弹簧垫圈 M5		Spring washer M5		2	2
17	13831023		下线架过线杆		Spool rest arm lower		1	1
18	13831024		线盘		Spool rest		2	2
19	20131010		线盘垫		Spool rest cushion		2	2
20	20131006		线盘钉		Spool pin		2	2
21	13831025		线盘防松垫		Spool retainer		2	2
22	1383100300		线架组件(蓝色)		Thread stand asm.		1	1



9. 机头附件(2)/Machine Head Accessories(2)

序号NO.	公司件号	Part NO.	名称	PartName	零件描述	Description	数量	Number
1	1011203100		机头连接钩座		Hinge component		2	2
2	10122060		机头连接橡胶垫		Head connecting rubber cushion		2	2
3	10117012		机针DBx#14 (薄料)		Needle		4	4
4	101530010		机针DPx#21 (厚料)		Needle		4	4
5	10118003		机头连接钩座钉		Hinge component		2	2
6	1011011		机头支柱		Machine head rest pin		1	1
7	20731047		螺丝刀(大)		Screw driver,large		1	1
8	10131003		螺丝刀(中)		Screw driver,medium		1	1
9	10131004		螺丝刀(小)		Screw driver,small		1	1
10	101101200		油刷部件		Oiler component		1	1
11	40131017		防尘罩		Dust cover		1	1

杰克缝纫机股份有限公司
JACK SEWING MACHINE CO.,LTD.

公司地址(Address of Company) :
台州市椒江区机场南路15号
No.15 Rd Airport South, Jiaojiang District Taizhou City, Zhejiang, P.R.C
邮编(Zip Code): 318000
国内销售部(Domestic Trade Department):
电话(TEL): 0086-0576-8817788 8817789
传真(FAX): 0086-0576-8817758
国际贸易部(International Trade Department):
电话(TEL): 0086-0576-8817782 8817774
传真(FAX): 0086-0576-8817787
服务热线: 400-8876858
http://www.chinajack.com
资料如有更改, 恕不另行通知, 以实物为准。
You will be not informed if the file has been revised Please set sample as standard.
2016年11月版